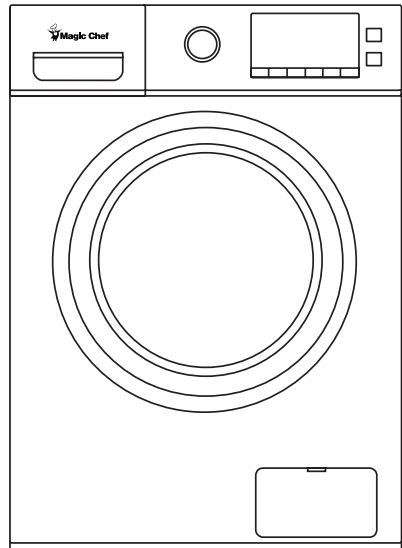




# 2.0 Cu. Ft. Ventless Washer Dryer Combo

*User's Manual*



Model MCSCWD20W3

**PLEASE READ THIS MANUAL CAREFULLY BEFORE USING YOUR  
WASHER DRYER COMBO AND KEEP IT FOR FUTURE REFERENCE.**



## PRODUCT REGISTRATION

Thank you for purchasing a Magic Chef® product. The first step to protect your new product is to complete the product registration on our website: [www.mcappliance.com/register](http://www.mcappliance.com/register). The benefits of registering your product include the following:

1. Registering your product will allow us to contact you regarding a safety notification or product update.
2. Registering your product will allow for more efficient warranty service processing when warranty service is required.
3. Registering your product could act as your proof of purchase in the event of insurance loss.

Once again, thank you for purchasing a Magic Chef product.

# CONTENTS

PRODUCT REGISTRATION .....	2
PRECAUTIONS .....	4
IMPORTANT SAFETY INSTRUCTIONS .....	7
SPECIFICATIONS.....	9
INSTALLATION REQUIREMENTS.....	10
INSTALLATION INSTRUCTIONS .....	12
PARTS AND FEATURES .....	15
BEFORE USE .....	19
OPERATION INSTRUCTIONS.....	21
CARE AND MAINTENANCE.....	24
TROUBLESHOOTING.....	26
LIMITED WARRANTY .....	28

# PRECAUTIONS

**▲ NOTE:** Before using your Combo Washer/Dryer, read this manual carefully and keep it for future reference.

## READ THIS USER MANUAL

Inside this manual, you will find helpful information on how to properly use and maintain your Combo Washer/Dryer. You will find many answers to common problems in the Troubleshooting section. Review this manual to ensure safe and proper operation of your appliance.

## UNPACKING YOUR WASHING MACHINE

1. Inspect and remove all packaging material including two bottom blocks of foam.
2. Inspect and remove all remaining packing, tape, and removable printed materials before starting your Combo Washer/Dryer.

**▲ WARNING:** Risk of child entrapment

Child supervision is necessary. This appliance is to be used only for its intended purpose as described in this manual. Read all recommended safeguards thoroughly.

## ELECTRICAL INSTRUCTIONS

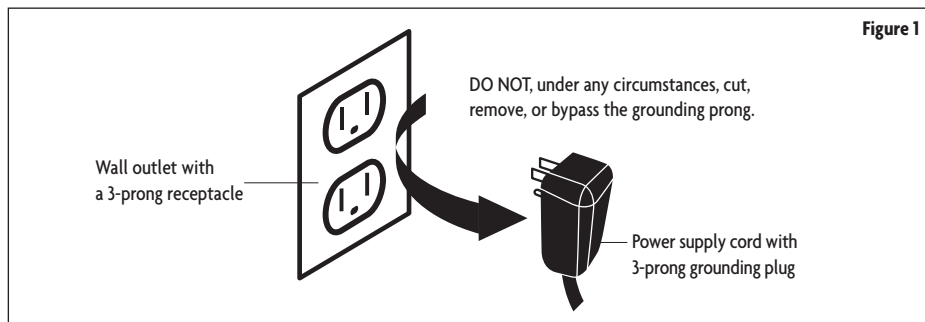
**▲ WARNING:** For personal safety

- DO NOT use an extension cord or an adapter plug with this appliance.
- DO NOT, under any circumstances, cut or remove the grounding connection from the power cord.

Ensure the rating voltage and frequency of the power outlet corresponds to those on the rating label. Use the required fuse 10 amp, time delay fuse or circuit breaker recommended.

## GROUNDING INSTRUCTIONS

This appliance must be grounded. In the event of a malfunction or breakdown, grounding will reduce the risk of electric shock. This appliance is equipped with an equipment-grounding conductor cord and grounding plug. The appliance must be plugged into an outlet that is properly installed and grounded.



**▲ WARNING:** Improper use of the grounding plug and/or outlet can result in a risk of electric shock. Consult a qualified electrician or serviceperson if the grounding instructions are not completely understood.

**▲ WARNING:** This washing machine must be connected to a circuit separately from other electrical appliances. Otherwise, circuit breaker may be tripped or fuse may burn out.

## BEFORE OPERATING THIS APPLIANCE

- Packing materials may be dangerous to children. Keep all packing materials (plastic bags, foams, etc.) away from children.
- Ensure that water and electrical devices are properly connected by a qualified technician in accordance with the manufacturer's instructions (refer to "Installation Requirements" on page 10) and local safety regulations.
- Before operating this machine, all packaging and transport bolts must be removed. (Refer to "Remove Transport Bolts" on page 12.) Otherwise, the washing machine may be seriously damaged during operation.
- Before washing clothes for the first time, the washing machine must be operated in "Cotton" and "Hot Water" settings without any clothes inside. (Refer to "Washing Clothes" on page 21.)
- This washing machine is for indoor use only.

## PROTECTING THIS APPLIANCE

- DO NOT climb on or sit on the top cover of this appliance.
- DO NOT lean against the door.
- DO NOT close the door with excessive force. If the door is difficult to close, check the unit is not overloaded and clothes are properly distributed inside the machine.

## CAUTION DURING HANDLING

- Before transporting, transport bolts must be reinstalled onto the machine by a qualified person.
- Any accumulated water must be drained out of the machine.
- Handle the appliance carefully. NEVER hold or lift the appliance by a protruding part.

## CAUTION WHEN WASHING CLOTHES

- Cold and hot water must be connected in accordance to local ordinances.
- This machine is only for household use and is only designed for clothes and garments suitable for machine washing and drying.
- Flammable, explosive or toxic solvents are forbidden. Gasoline, alcohol, etc. must not be used as detergents. Only use detergents that are suitable for machine washing, especially for front loading machines.
- DO NOT wash carpets or rugs.
- This washing machine drains hot water and unit and parts, including the unit door, may become very hot. Exercise caution.
- NEVER refill the water by hand during a washing cycle.
- After a wash/dry cycle is completed, open the door after the bell and disconnect the power supply to the machine.
- Disconnect water and power supply immediately after the clothes are washed/dried.
- ALWAYS follow the fabric care instructions recommended by the clothing manufacturer. (Refer to "Common Fabric Care Symbols" on page 27.)
- DO NOT use the washing machine if it has a worn/damaged power cord or loose plug. Contact an authorized service agent.

- DO NOT operate the washing machine if any guards, panels and/or fasteners, except transport fixing bolts, have been removed. Check the fill hose connections on a regular basis to ensure they are tight and not leaking.
- DO NOT operate the washing machine if parts are missing or broken.

**▲ NOTE:** ALWAYS contact the manufacturer or a qualified service agent about any manual instructions that are unclear.

**▲ WARNING:** Installation

- Install the appliance according to the manufacturer's instructions and local codes.
- Certain conditions may obstruct proper dryer airflow and increase the risk of fire.
- To reduce the risk of severe injury or death, follow all installation instructions carefully.
- To reduce the risk of fire, this appliance must be properly secured to the floor.

**▲ WARNING:** Disposal

- For proper disposal, contact your local waste disposal service regarding local regulations.
- Cut off the power cord prior to disposal.
- Failure to comply with these warning may result in serious personal injury or death.

# IMPORTANT SAFETY INSTRUCTIONS

## **▲ WARNING:** Proper Use

To reduce the risk of fire, electric shock, or personal injury when using your appliance, follow these basic precautionary guidelines, which includes the following:

1. Read all instructions before using the appliance. Unit must be properly installed as described in this manual before use.
2. ALWAYS unplug the washing machine from the power supply before attempting any service. Disconnect the power cord by grasping the plug, not the cord. NEVER pull out power plug with wet or damp hands.
3. DO NOT wash articles that have been previously cleaned in, washed in, soaked in, or spotted with gasoline, dry-cleaning solvents, or other flammable or explosive substances, as they may contain vapors that could ignite or explode.
4. DO NOT add gasoline, dry-cleaning solvents, or other flammable or explosive substances to the wash water. These substances could ignite or explode.
5. If the hot water system has not been used for 2 weeks or more, turn on all hot-water faucets and let water flow for several minutes before using the washing machine. Under certain conditions, hydrogen gas (which is EXPLOSIVE) may be produced in a hot water system that has not been in use. This will release any accumulated hydrogen gas. DO NOT smoke or use an open flame during this process, as hydrogen gas is highly flammable.
6. To reduce the risk of fire, clothes, cleaning rags, mop heads and the like which have traces of any flammable substance (i.e. vegetable oil, cooking oil, petroleum based oils or distillates, waxes, fats, etc.) must not be placed in the washing machine. These items may contain flammable substances which, even after washing, may smoke or catch fire.
7. NEVER place items in the washer that have been dampened with gasoline or any combustible or explosive substance. DO NOT wash or dry anything that has been soaked in or spotted with any type of oil (including cooking oils). Doing so can result in fire, explosion, or death.
8. DO NOT allow children to play on or in the appliance. Close supervision of children and pets around the appliance is necessary, as they may climb into or tamper with the machine. Check the machine before each use.
9. Glass door or protector may become very hot during and after operation. Keep kids and pets far away from the machine during and after each operation.
10. This washing machine is not intended for use by persons (including children) with reduced physical, sensory or mental capabilities, or lack of experience and knowledge.
11. When children become old enough to operate the appliance, it is the legal responsibility of the parents or legal guardians to ensure that they are instructed in safe practices by qualified persons.
12. DO NOT machine wash fiberglass materials (such as curtains and window coverings that contain fiberglass materials). Small particles may remain in the washing machine and stick to fabrics in subsequent wash loads which can cause skin irritation.
13. DO NOT reach into the appliance if the tub or agitator is moving. Before loading, unloading, or adding items, press [START/PAUSE] button and allow the drum to coast to a complete stop before reaching inside.
14. DO NOT install or store this appliance where it will be exposed to outdoor weather conditions or temperatures below freezing.
15. DO NOT tamper with controls.

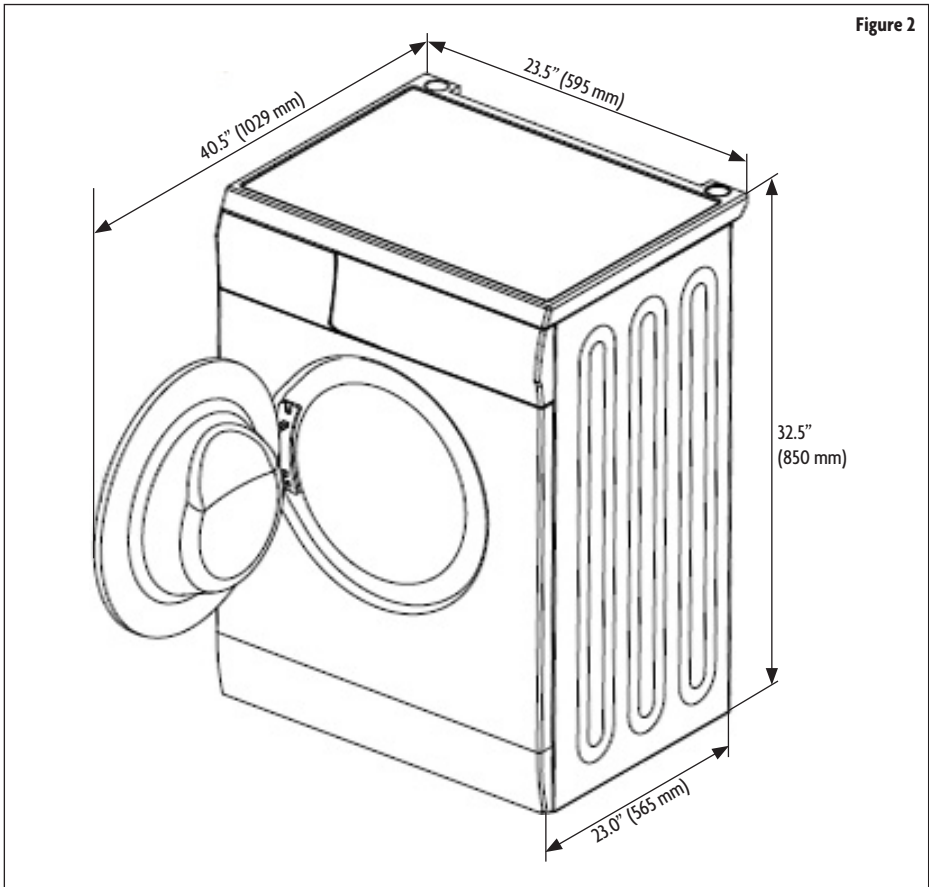
16. NEVER stop a tumble dryer before the end of the cycle and spread out clothes so heat can be dissipated.
17. Disconnect plug from the power receptacle before attempting any cleaning or maintenance.
18. Ensure water inside the drum has been completely drained before opening the door. DO NOT open the door if there is any water visible.
19. If the plug or power cord is damaged, it must be replaced by the manufacturer or a qualified service agent to avoid any danger.
20. This washer must be plugged into a 120 V, 60 Hz grounded outlet. Ensure the power voltage and frequency meets the requirements of the washing machine.
21. To ensure your safety, power plug must be completely inserted into a properly grounded 3-prong receptacle. Check carefully and make sure your receptacle is properly and reliably grounded.
22. To reduce the risk of fire, DO NOT dry articles containing foam rubber or similarly textured rubber like materials.
23. Before the appliance is removed from service or discarded, remove the door and cut off the power cord.
24. It is recommended to disconnect the plug and cut off water supply after operation.
25. DO NOT repair or replace any part of the appliance or attempt any service unless specifically recommended in the user manual. Contact a qualified service center/agent through the manufacturer for any and all repairs beyond manual recommendations.

**READ AND FOLLOW THIS SAFETY INFORMATION CAREFULLY**  
**SAVE THESE INSTRUCTIONS**



# SPECIFICATIONS

Figure 2



Height	32.5" (850mm)
Width	23.5" (595mm)
Depth	23.0" (565mm)
Depth with Door Opened	41.0" (1035mm)
Weight	174.0 lbs. (79.0 kg)
Voltage / Frequency	AC 120V-60Hz
Rated Current	12A
Washing Capacity	15.0 lbs. (7.0 kg)
Dry Capacity	7.7 lbs. (3.5 kg)
Drum Size	2.0 cu. ft.
Standard Water Pressure	0.05Mpa - 1.0Mpa

# INSTALLATION REQUIREMENTS

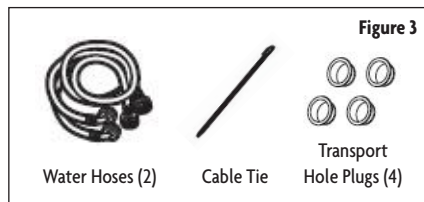
## TOOLS AND PARTS

Gather the required tools and parts before starting installation. The parts supplied are in the washer drum. (Refer to Figure 3).

### Recommended Tools (NOT included with unit purchase)

- 1/4" nut driver 3/8" socket with ratchet
- 3/8" open-end wrench
- Adjustable wrench or 7/16 socket with ratchet
- Adjustable wrench or 9/16 open-end wrench
- Channel-lock adjustable pliers
- Carpenter's level

### Included Parts



## UNPACKING THE WASHING MACHINE

- Unpack your washing machine and check for any damage.
- Make sure all the Included Parts (as shown in Figure 3) are received in the included bag.
- If there is any damage to the washing machine or any item is missing, Contact your local dealer immediately.

## DISPOSE OF PACKING MATERIALS

The packing materials for this appliance may be dangerous to children and must be kept away from children and disposed of properly. Dispose the related packing materials according to the relevant local regulations.

## LOCATION REQUIREMENTS

Selecting the proper location for your washing machine improves performance, minimizes noise and prevents possible washer "walk". Your washer can be installed under a custom counter, in a basement, laundry room, closet, or recessed area. Refer to "Drain System Options" on page 12 for instructions on proper draining protocol. Companion appliance location requirements should also be considered. DO NOT install your unit in a bathroom (or damp room) or rooms that may contain explosive or caustic gases. Proper installation is important for the operation of your Washer Dryer Combo unit. Before installing the washing machine, the location must be carefully selected based on the following requirements:

- Rigid, dry, and level surface (if surface is not level, adjust the leg levelers. (Refer to "Leveling the Washer" on page 13).
- Avoid exposure of appliance to direct sunlight.
- Allow sufficient ventilation.
- Room temperature must be above 32°F (0°C).
- Keep far away from any heat sources such as coal or gas.
- Make sure the washing machine will not stand on power cord.
- DO NOT install the washing machine on carpeted floor or on a rug.

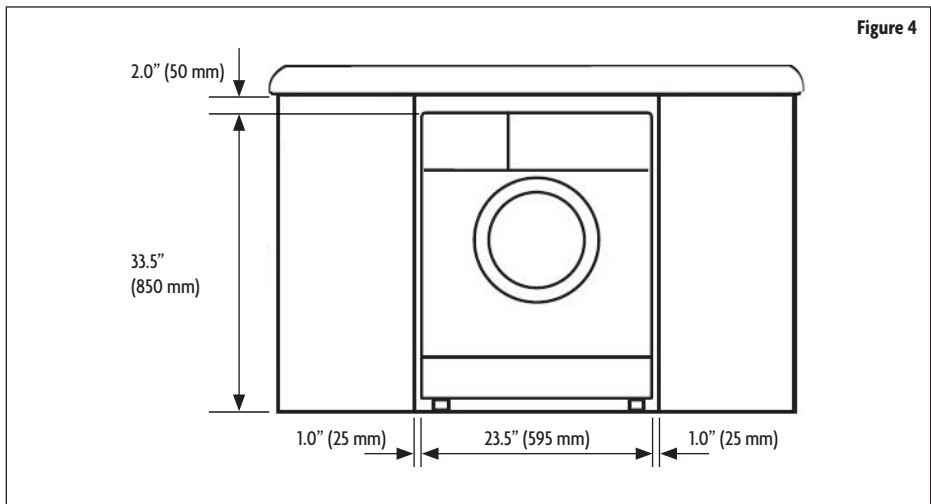
You will need:

- A water heater set to deliver 120°F (49°C) water to the washer.
- A grounded electrical outlet located within 6 ft. (1.8 m) of where the power cord is attached to the back of the washer. Refer to “Grounding Instructions” on page 4.
- Hot and cold water faucets located within 4 ft. (1.2 m) of the hot and cold water fill valves, and water pressure of 20-100 psi (137.9 - 689.6 kPa).
- A level floor with a maximum slope of 1” (25 mm) under entire washer. DO NOT install the washer on soft floor surfaces, such as carpets or surfaces with foam backing.
- A sturdy and solid floor to support the washer with a total weight (water and load) of 200lbs.
- DO NOT operate your washer in temperatures below 32°F (0°C). Some water can remain in the washer and can cause damage in low temperatures.

## INSTALLATION CLEARANCES

- The location must be large enough to allow the washer door to be fully opened.
- Additional spacing should be considered for ease of installation and servicing. The door opens more than 90° and it is NOT reversible.
- Additional clearances might be required for wall, door and floor moldings.
- Additional spacing of 1” (25mm) on all sides of the washer is recommended to reduce noise transfer.
- Companion appliance spacing should also be considered.

## RECOMMENDED SPACING FOR UNDER-COUNTER INSTALLATION

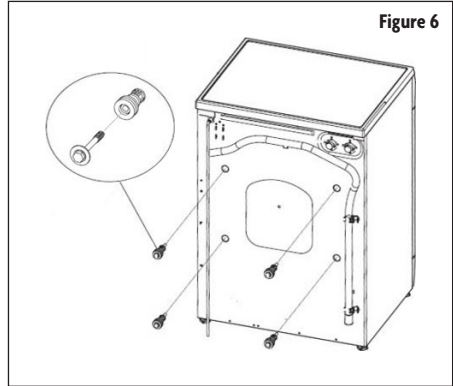
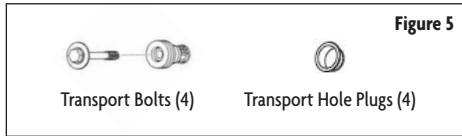


# INSTALLATION INSTRUCTIONS

## REMOVE TRANSPORT BOLTS

Before using this washing machine, transport bolts must be removed from the backside of this machine. Take the following steps to remove the bolts:

1. Loosen all bolts with wrench and then remove.
2. Cover the holes with included transport hole plugs.
3. Store the transport bolts properly for future use.



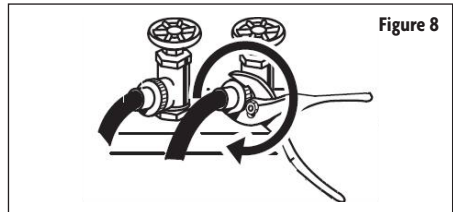
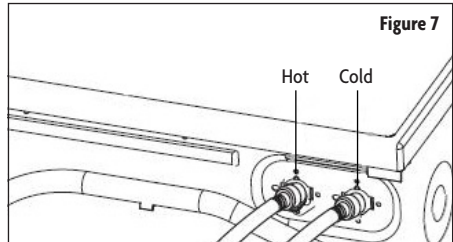
## CONNECT INLET PIPE

Connect the inlet pipe as indicated in Figure 7. For models with a hot valve, connect the hot valve to hot water tap.

## INSTALL INLET PIPE

1. Connect the elbow to the tap and fasten it clockwise. (Refer to Figure 8.)
2. Connect the other end of inlet pipe to the inlet valve at the backside of washing machine and fasten the pipe tightly clockwise.

**▲ NOTE:** After connection, if there is any leakage from the hose, repeat the above steps to connect inlet pipe. If tap is square or too big, then standard tap must be changed to allow proper fitting.



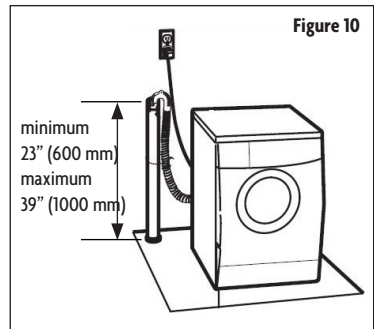
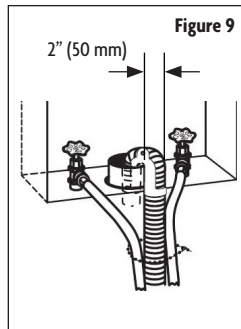
## DRAIN SYSTEM OPTIONS

### Standpipe Drain System

#### Wall (Figure 9) or Floor (Figure 10)

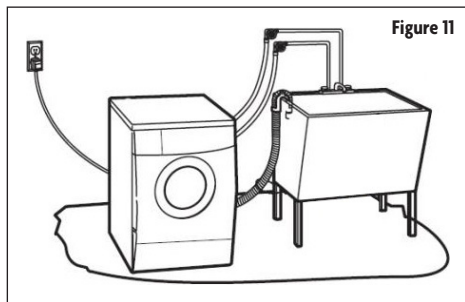
The standpipe drain requires a minimum diameter standpipe of 2" (50 mm). The minimum flow capacity must be no less than 17 gallons (64 L) per minute.

The top of the standpipe must be at least 23" (60 cm) high and no higher than 39" (100 cm) from the bottom of the washer.



### Laundry Tub Drain System (Figure 11)

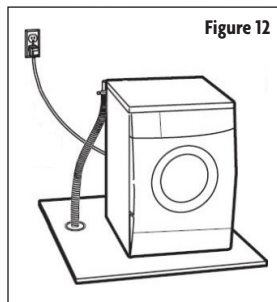
The laundry tub needs a minimum 20 gallons (76 L) capacity. The top of the laundry tub must be at least 23" (60 cm) above the floor.



### Floor Drain System (Figure 12)

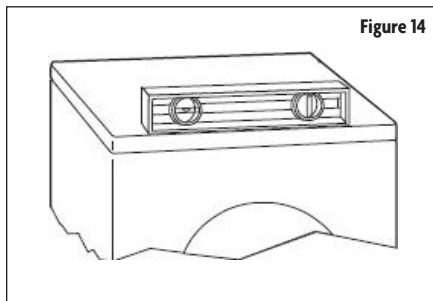
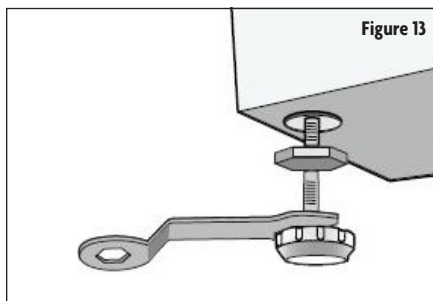
The floor drain system requires a siphon break that may be purchased separately. The siphon break must be a minimum of 28" (710 mm) from the bottom of the washer.

(Additional hose purchase may be required.)



## LEVELING THE WASHER

1. When positioning the washing machine, check that the legs are closely attached to the cabinet. If not, turn them to their original positions with hand or spanner and tighten the nuts.
2. After positioning the washing machine, press the four (4) corners on top cover of washing machine in sequence. If the washing machine is not stable when pressed, the leg must be adjusted.
3. Ensure the position of the washing machine. Loosen the lock nut with wrench and turn the leg by hand until it contacts the floor. (Refer to Figure 13.) Press the leg with one hand and fasten the nut closely to the cabinet with the other hand.
4. After being locked properly, press the four (4) corners again to ensure the legs have been adjusted properly. If it is still unstable, repeat Steps 2 and 3.
5. Use a carpenter's level on all four (4) sides to ensure the appliance is level.



## ELECTRICAL CONNECTION

- As the maximum current through the unit is 12A, when using the heating (dryer) function, make sure the power supply system (current, power voltage and wire) at your home meets the requirements of this appliance.
- Connect the power to a receptacle which is correctly installed and properly grounded.
- Make sure the power voltage is compatible with the machine's rating label.
- Power plug must match the receptacle and unit must be properly and effectively grounded.
- DO NOT use a multi-purpose plug, receptacle or extension cord.

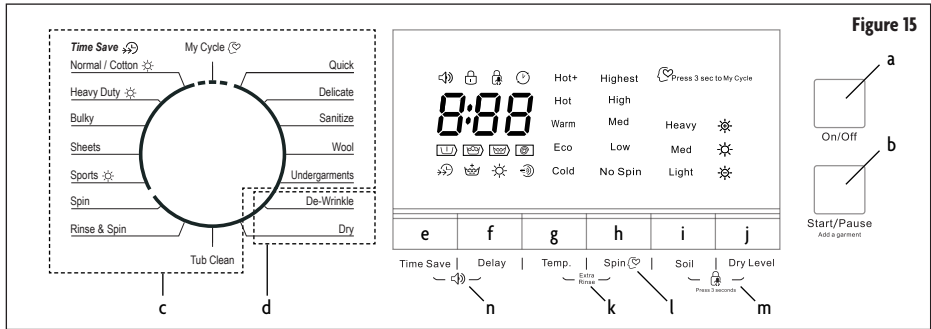
- DO NOT connect and disconnect plug with wet hands.
- When connecting and disconnecting the plug, hold the plug tightly by the base and then pull out. DO NOT pull power plug forcibly or by the cord.

**▲ NOTE: Damaged Power Cord**

- DO NOT operate the machine with a damaged power cord.
- DO NOT attempt to repair a damaged power cord.

# PARTS AND FEATURES

## CONTROL PANEL



- a. On/Off: Press [On/Off] to turn the unit ON with LCD display. Press the button again to turn the unit OFF.
- ▲ NOTE:** If the washer is paused and the current wash cycle is not resumed within 10 minutes, the cycle will be cancelled and the unit will automatically turn OFF.
- b. Start/Pause: Press [Start/Pause] to start a wash cycle. Press [Start/Pause] again to pause the cycle when the washer is running. Press [Start/Pause] once more to resume.
- c. Wash Cycles
1. Normal/Cotton: Select this option for regularly used cottons and fabrics.
    - Extended wash cycle with stronger intensity
    - Recommended fabrics: cotton, linens, bed sheets, t-shirts, towels, jeans, etc.
    - Dry cycle can be added.
  2. Heavy Duty: Select this option for washing heavy clothing.
    - Dry cycle can be added.
  3. Bulky: Select this option for bulky/large items.
    - Extended wash cycle
  4. Sheets: Select this option for sheets and duvet covers.
  5. Sports: Select this option for sportswear.
    - Wash cycle cleans heavily soiled clothes.
  6. Spin: Select this option to spin a load separately from a regular wash cycle.
    - Soap water or rinse water must be drained before spinning.
  7. Rinse & Spin: Select this option to rinse and spin a load separately from a regular wash cycle.
    - This can be helpful in preventing fresh stains from setting in fabrics.
  8. Quick: Select this option to wash few clothes that are not very dirty quickly.
  9. Delicate: Select this option for delicate fabrics such as dress shirts, nylons, etc.
    - Wash cycle operates at a lower temperature.
  10. Sanitize: Select this option to remove detergent buildup and other residue.
    - Uses high temperature sterilization on clothing.
    - DOES NOT drain the water. You must select another program to complete the process.

11. Wool: Only use this option to wash wool clothing articles labeled “Machine Washable”.
  - Proper detergent must be selected for wool textiles.
  - Lower spin speed and less agitation
12. Undergarments: Select this option to wash a few or lightly soiled clothes.
  - Wash cycle includes additional rinse.
  - Dry cycle can be added.
13. My Cycle: Select this option to save a commonly used washing program as a preset.
  - To program, select the settings you wish to use. Then press [Spin] and hold it for 3 seconds to save.

d. Dry Cycles

**▲ NOTE:** Important Notes for Dry Cycles

If the machine is to be used to dry a load, then the wash load must be reduced by half for effective drying performance. If a full load is washed, remove half the clothes prior to starting the dry cycle. Refer to “Control Panel” on page 15 to learn how to pause a cycle.

DO NOT cut off water supply or remove hose attachments during dry cycle. This is a ventless unit that releases moisture during dry cycles.

The dryer is equipped with a door-locking safety feature to ensure safe temperatures and avoid burns and other safety hazards. The door will remain LOCKED during dry cycle until the unit reaches a safe temperature. After a safe temperature is reached, the door should open and function normally.

Dry Only Cycles

1. De-Wrinkle: Select this option to de-wrinkle clothes. There is only air during this cycle. The maximum drying time is 31 minutes.

**▲ NOTE:** the unit will automatically stop drying after 31 minutes even if items are not fully dry.

2. Dry: This option is for only drying a load of clothes. Select the Dry Level according to the load.

Combo Wash/Dry Cycles

- Select this option to dry clothes immediately after washing with the Normal/Cotton, Heavy Duty or Sports cycles. The unit will transit from wash to dry.
- You must select this option before starting the wash cycle.
- First select desired wash cycle (refer to chart on Page 22 to see drying compatible cycles). Then, add dry option by clicking the [Dry Level] button to the desired level. A sun icon should be displayed on the screen, indicating added dry time.

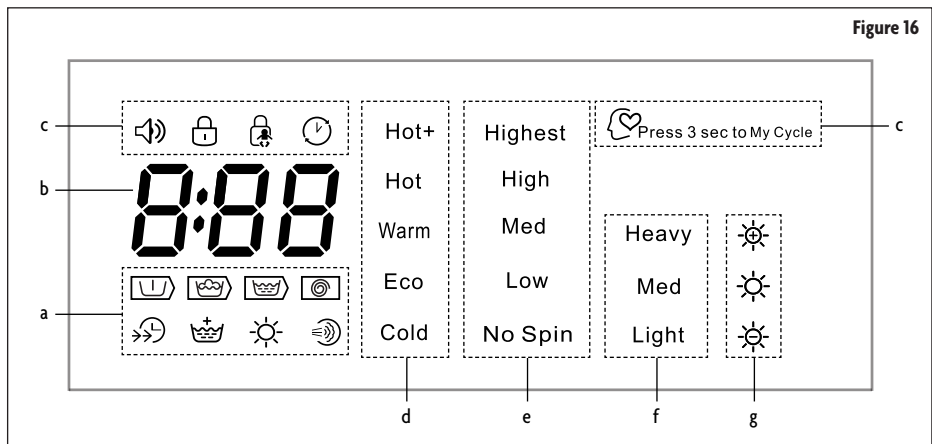
**▲ NOTE:** Pay attention to the load size when using this option. Only wash loads at capacity of dryer. (Refer to “Washing and Drying Capacity” on page 20).

- e. Time Save: Press [Time Save] to decrease the washing time.
- f. Delay: Press [Delay] to set a delay time for the wash to begin.
  - The delay start light will flash to indicate the delay time. You can delay the start time of the cycle from 1 - 24 hours.
- g. Temp.: Press [Temp.] to set your desired washing temperature.
- h. Spin: Press [Spin] to increase spin speed.
  - Washer drum spins at a speed up to 1200 RPM which reduces drying time and saves energy.
  - Press the button until desired speed is lit (No Spin, Low, Med, High, Highest).
  - Some fabrics (i.e. delicates) require a slower spin speed.
  - High spin speeds are not available on all cycles.








- i. Soil: Press [Soil] to increase time for heavier soiled items.
  - There are three (3) soil levels options.
  - Each bar increases the base wash time by 5 minutes.
- j. Dry Level: Adds a dry cycle to the end of the wash cycle (not available on all cycles).
- k. Extra Rinse: Press the [Temp.] and [Spin] button at the same time to add an extra rinse to the selected cycle.
- l. My Cycle: After a wash cycle is modified, hold down [Spin] to save your settings.
  - You can quickly choose this cycle for your next wash by turning the dial to My Cycle.
  - Override saved settings by holding the [Spin] button down again after a different cycle and options are selected.
- m. Child Lock: Press [Soil] and [Dry Level] at the same time to Unlock/Lock the control panel.
- n. Sound: Press [Time Save] and [Delay] at the same time to turn the sound on or off.
- o. Change cycles and options: Not all options are available with all Cycles. Cycles and Options can be changed anytime before [Start/Pause] is pressed.
- p. To cancel a cycle:
  - Press and hold [On/Off] for 3 seconds to turn the unit OFF.
  - Wash cycle can be changed at this time.
  - Press [On/Off] once and select the desired setting. Then press [Start/Pause] to start the unit.
- q. To manually drain the washer:
  - Press [On/Off] to turn the unit ON.
  - Select the Spin cycle.
  - Press [Start/Pause] to start the cycle to drain the washer.
  - When the spin cycle is completed, the door will unlock. Items can now be removed from the washer.

## LCD DISPLAY



- a. Cycle Indicator: Indicates stage of wash/dry cycle.
 

•  : Prewash	•  : Speed Wash
•  : Wash	•  : Extra Rinse
•  : Rinse	•  : Dry
•  : Spin	•  : Air Wash

- b. Clock: Indicates time left until the end of wash/dry cycle.
- c. Feature Indicator: Indicates features that are active.
  -  Sound: Sound is on.
  -  Door Lock: Machine is locked for duration of cycle.
  -  Child Lock: Child lock is on.
  -  Delay: Delay Timer is active.
  -  My Cycle: Custom Cycle is active.
- d. Water Temperature: Indicates the selected temperature.
- e. Spin Speed: Indicates the selected spin speed.
- f. Soil Level Indicator: Indicates the selected soil level.
- g. Dry Level: Indicated the selected dry level.

# BEFORE USE

## CHECK LIST AND PREPARATION BEFORE WASHING CLOTHES

Read these operating instructions carefully to avoid any damage or issues with the washing machine and to clothes. ALWAYS follow instructions on fabric care labels in clothing articles for proper care.

**▲ WARNING:** NEVER put clothes to be washed in the washing machine for a long period of time. Clothes left in the machine may get moldy and cause spots. Clothes may also become discolored if they are not washed according to the stated washing temperature and instructions.

## SELECTING DETERGENT

- “Low bubble” detergent/washing powder or washing powder specifically made for drum washing machines must be selected. Otherwise, excessive bubbles may be generated and overflow out of the drawer which may damage the unit and result in accidents.
- Bleach can damage clothes. Use bleach with caution and follow detergent and clothing article care instructions.
- Powder detergents can leave residue in clothes. Clothes washed with powder detergents must be thoroughly rinsed.
- Some detergents may not completely dissolve if there is too much detergent or water temperature is too low.
- Washing method is based on weight of clothes, soil level, local water hardness as well as the recommendations from the detergent manufacturers. Consult the water company if you are not clear of water hardness.

**▲ NOTE:** DO NOT place or store laundry products, such as detergent, bleach, or liquid fabric softener, on top of your washer/dryer combo unit. Wipe up any spills immediately. These products can damage the finish and controls. Keep all laundry products in a safe, dry space out of reach of children.

## REMOVE ALL LOOSE ARTICLES FROM CLOTHES

Check all pockets/compartments of clothes to be washed and remove any loose items such as decorations and coins. Loose items may damage the washing machine.

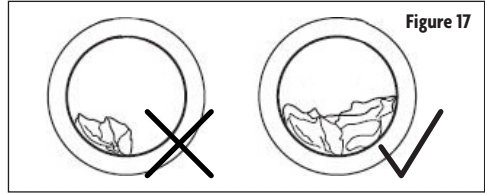
## IDENTIFY AND SEPARATE CLOTHES TO BE WASHED

Classify clothes to be washed into cotton, blended fiber, synthetic fiber, silk, wool and artificial fiber. White and colored clothes must be identified and separated.

**▲ NOTE:** All new colored fabrics must be washed separately.

- Accessories: Loose accessories on some clothes may become damaged and/or damage the washing machine. Clothes that contain buttons or embroideries must be turned inside-out over before being washed.
- Fasteners: Zippers must be closed and buttons or hooks must be firmly affixed. Any loose bands or ribbons must be bound together before being washed.
- It is highly recommended fabrics that are easily stained (white socks, collars, sleeves, etc) to be hand washed before being put into washing machine. Use powder or liquid detergents only.
- Water-proof materials: It is not recommended washing water-proof fabrics as it may become damaged and/or cause damage to the washing machine and other clothes.

- **Balance and Load:** Washing a single big and heavy garment such as towels, jeans, jackets etc. may cause an unbalanced load. Therefore, it is suggested to add one or two more clothes to be washed together to prevent unbalance and to allow smooth and complete draining. (Refer to Figure 17.)



## CHECK LIST AND PREPARATION FOR DRYING CLOTHES

Read these operating instructions carefully to avoid any damage or issues with the dryer and to clothes. ALWAYS follow instructions on fabric care labels in clothing articles for proper care.

For most even drying, make sure all articles in the clothes load are similar in material and thickness.

DO NOT overload your dryer. Items must be able to tumble freely. See “Washing and Drying Capacity” below for further instructions on the capacity of your dryer.

**▲ NOTE:** Dryer capacity is roughly half of washer capacity.

It is recommended to shake out clothing articles before drying them to reduce excessive wetness and avoid wrinkling.

## WASHING AND DRYING CAPACITY

### Washing Capacity

DO NOT overload the washing machine as it may negatively affect the washing capabilities. See the chart of Maximum Loading Capacities.

Fiber Type	Maximum Washing Capacity	Maximum Drying Capacity
Cotton	15.0 lbs. (7.0 kg)	7.5 lbs. (3.4 kg)
Synthetic	7.7 lbs. (3.5 kg)	3.8 lbs. (1.7 kg)
Wool	5.5 lbs. (2.5 kg)	2.7 lbs. (1.2 kg)

### Drying Capacity

**▲ NOTE:** The capacity of the machine for washing clothes is up to twice as much as when drying clothes. If the machine is to be used to dry a load, then the wash load must be reduced by half for effective drying performance. If a full load is washed, remove half the clothes prior to starting the dry cycle.

# OPERATION INSTRUCTIONS

## WASHING CLOTHES

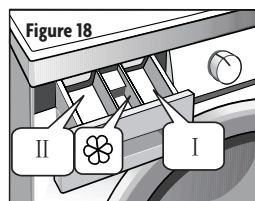
Before washing clothes for the first time, the washing machine must be run with a small amount of detergent and without clothes. Follow below instructions.

1. Connect power source and water.
2. Place a small amount of detergent into the detergent dispenser and close.
3. Press [On/Off] button.
4. Turn the cycle to [Normal/Cotton] and press the [Temp.] button until the word Hot is displayed.
5. Press [Start/Pause] button.

## DETERGENT DISPENSER DRAWER

- I. Pre-detergent or washing powder
- II. Main Detergent
- ☼. Softener

Once you have loaded the washer and added laundry products, you are ready to wash and dry.



## START THE WASHING MACHINE

1. Make sure the unit is properly connected to a power source and water lines.
    - Tap should be turned on (in an open position).
    - Place your wash load into the drum.
  2. Press the [On/Off] button. Control panel will illuminate.
  3. Turn the cycle selector knob to the desired cycle based on load. The LCD display panel will reflect the preset features for that cycle.
  4. If you would like to modify any of the preset settings for the desired cycle, press on the individual options until the display panel reflects the desired settings.
- ▲ NOTE:** If you have a favorite cycle, once you modify all settings, press and hold [Spin] to save as My Cycle. Depending on the desired cycle, all options may not be available.
5. Press the [Start/Pause] button to begin cycle. Once the cycle begins, the door will automatically lock and wash cycle will begin. Display panel will change to reflect estimated time and state of wash. At any time, you can pause the cycle by pressing on the [Start/Pause] button again.

## CYCLE GUIDE

This guide shows you the options for each cycle.

If it is displayed in the table, then that is an option for that cycle. If an option is bold, that means it is the default setting for that cycle.

**▲ NOTE:** The Time and Time Save times listed are in minutes. Those are the default times for those cycles. Cycle times can vary depending on what changes you make to the cycle.

Cycle	Time Save	Temp.	Spin	Soil	Dry	Time	Time Save
Normal/ Cottom	Yes	Hot+	Highest	Heavy	+	54	42
		Hot	<b>High</b>	Med	0		
		<b>Warm</b>		<b>Light</b>	-		
		Eco	Low				
		Cold					
Heavy Duty	Yes		<b>Highest</b>	<b>Heavy</b>	+	134	112
		Hot	High	Med	0		
		<b>Warm</b>	Medium	Light	-		
		Eco	Low				
		Cold	No Spin				
Bulky	Yes		Highest	<b>Heavy</b>		104	48
		Hot	<b>High</b>	Med			
		Warm	Medium	Light			
		<b>Eco</b>	Low				
		Cold	No Spin				
Sheets	Yes			Heavy		57	52
		Hot	High	Med			
		Warm	<b>Medium</b>	<b>Light</b>			
		Eco	Low				
		<b>Cold</b>	No Spin				
Sports	Yes		Highest	<b>Heavy</b>	+	51	38
		Hot	<b>High</b>	Med	0		
		Warm	Medium	Light	-		
		<b>Eco</b>	Low				
		Cold	No Spin				
Spin	No		Highest			11	-
			<b>High</b>				
			Medium				
			Low				
Rinse & Spin	No		Highest			16	-
			<b>High</b>				
			Medium				
			Low				
			No Spin				

Cycle	Time Save	Temp.	Spin	Soil	Dry	Time	Time Save
Quick	No		Highest	Heavy		36	-
		Hot	<b>High</b>	Med			
		<b>Warm</b>	Medium	<b>Light</b>			
		Eco	Low				
		Cold	No Spin				
Delicate	Yes			<b>Heavy</b>		54	41
			High	Med			
		Warm	<b>Medium</b>	Light			
		<b>Eco</b>	Low				
		Cold	No Spin				
Sanitize	No	<b>Hot+</b>		<b>Heavy</b>		152	-
				Med			
				Light			
Wool	Yes			Heavy		105	101
			High	Med			
		Warm	<b>Medium</b>	<b>Light</b>			
		<b>Eco</b>	Low				
		Cold	No Spin				
Undergarments	Yes		Highest	Heavy		121	100
		Hot	<b>High</b>	Med			
		Warm	Medium	<b>Light</b>			
		Eco	Low				
		<b>Cold</b>	No Spin				
De-Wrinkle	No					31	-
Dry	No		<b>Highest</b>	+		147	
			High	0			
			Medium	-			
			Low				
			No Spin				

# CARE AND MAINTENANCE

Periodic cleaning and proper maintenance is recommended and will ensure efficiency, top performance, and extended life of this appliance.

Disconnect plug from outlet and turn off (closed position) water tap before performing any cleaning/maintenance to your combo washer/dryer.

## CLEANING THE EXTERIOR OF THE UNIT

NEVER use solvent based, abrasive cleaners, harsh chemicals or steel wool to clean your unit as they can damage the finish. The cabinet and door may be cleaned with a mild detergent and lukewarm water solution such as 2 tablespoons of baking soda to 1 quart of water. Use a soft sponge and rinse with clean water. Wipe with a soft clean towel to prevent water spotting.

During daily use, it is recommended to wipe up any spills with dry soft cloth.

## CLEANING THE INTERIOR OF THE UNIT

NEVER use solvent based, abrasive cleaners, harsh chemicals or steel wool to clean the internal drum. During daily use, use a soft cloth to wipe around the door, opening, and rubber seal to remove any excess moisture and to maintain a water tight seal.

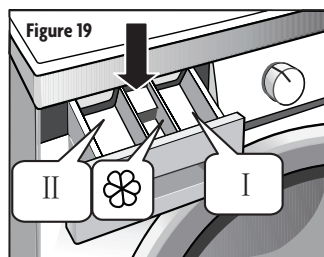
1. To clean the interior of the unit, all clothes must be removed from the drum.
2. Select the cycle [Sanitize]. You can either use liquid chlorine or power tub cleaners/tablets manufactured for this purpose.
3. For liquid chlorine, add directly to the fabric softener section.
4. For powder tub cleaner, add directly to the main detergent section.
5. For tablets, add directly to the wash drum.
6. Press start to initiate [Sanitize] cycle.

After every wash clothes should be removed promptly to avoid odor and/or mildew from forming.

## CLEANING DETERGENT DISPENSER DRAWER

NEVER use solvent based, abrasive cleaners, harsh chemicals or steel wool.

1. Remove the detergent dispenser from the unit by pressing on the release tab and pull out drawer completely.
2. Once dispenser drawer is removed, remove cap from the fabric softener compartment (pictured below).
3. Place drawer under warm tap water and dry with soft cloth.
4. Place cap back onto fabric softener and insert dispenser drawer back into the unit.



## CLEANING THE INLET FILTER

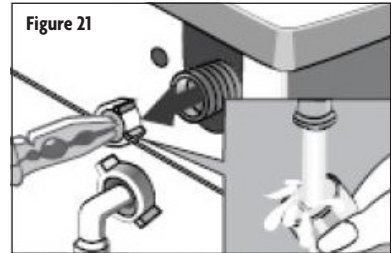
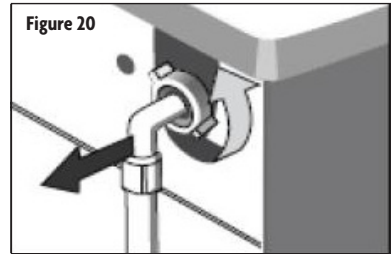
If tap is turned on (open position) and there is an insufficient amount of water coming through the hose, you may need to clean your hoses and inlet filter.

1. Turn off the tap entirely before cleaning.



2. Select any procedure on control knob and press the [Start/Pause] button and let run for about 40 seconds.
3. After 40 seconds, stop the cycle and remove the hot and cold water hoses from the wall and back of the unit.
4. Run warm water through both hoses.
5. If your wall connection has a built-in filter, pull out filter with long nose pliers and wash under warm water.
6. Unscrew the inlet pipe from the backside of the machine.
7. Pull out the filter with long nose pliers and wash under warm water.
8. Reconnect the inlet pipe.
9. Turn on the tap and make sure there is no water leakage.

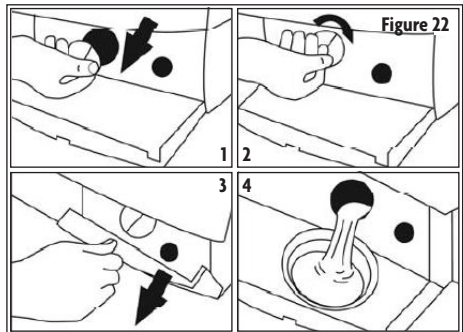
**▲ NOTE:** Generally, the tap filter should be washed first and then the filter to the washing machine.



## REMOVING FOREIGN MATTERS FROM COIN TRAP

The Coin Trap can collect small objects from the wash cycle. Clean out the coin trap regularly to ensure normal operation of washing machine. (Coin Trap is located on front panel of unit, bottom right corner.)

1. Place drain pan under to catch excess water.
2. Open the coin trap door.
3. Turn the knob counterclockwise.
4. Pull out the coin trap and remove articles.
5. Return the coin trap and turn clockwise to close it.
6. Close the coin trap door.



# TROUBLESHOOTING

Issue	Possible Cause	Solution
Unit will not start		Ensure the door is closed tightly. Check that power plug is inserted. Check to make sure the electrical plug has power. Check if water supply tap is turned on (open position). Check if [On/Off] is pressed. Check if [Start/Pause] is pressed.
Door does not open	Unit's temperature safety feature has been initiated. The door lock is engaged.	Disconnect Power. Allow unit to cool down to safe temperatures. Door should open normally once a safe temperature is reached.
Heating failure	NTC (temperature sensor) is damaged and heating pipe is aging.	Can normally wash clothes but cannot wash with heat. Contact authorized technician.
Water leakage	Connections are not tight. Drain pipe is blocked.	Check and tighten all water pipes and connections. Clean drain pipe. Contact authorized technician.
Water is leaking from the bottom of the unit	The inlet pipe is not connected firmly. Outlet hose has water leakage or hose is connected loosely.	Fix the inlet pipe. Replace the drain hose. Contact authorized technician.
Indicator or display does not illuminate	Power is disconnected. PC Board or Harness is faulty.	Check that power is on and power plug is properly connected. If not, contact authorized technician.
Detergent residue in the detergent drawer	Detergent is damp and clumped together. Too much detergent is being used.	Thoroughly clean the detergent drawer and dry with cloth. Use High Efficiency liquid detergent specifically made for front load washing machines.
Unsatisfactory washing effects	Clothes are too dirty. Insufficient detergent is being used. Drum is overloaded. Water temperature is too cold.	Ensure the proper procedure/water temperature is selected based on fabric type and washing label. Add proper detergent amount according to the instructions on detergent packaging. It is recommended to use High Efficiency liquid detergent.
Abnormal noise and/or excessive vibration		Check to ensure the Transport bolts have been properly removed. Ensure the unit is installed on a solid and level floor. Check to make sure there are no loose articles left in the drum. Make sure legs are properly adjusted. Ensure unit is not overloaded.











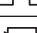
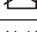


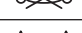





## ALARM CODE DETECTION

If a code appears that is not on this list, contact customer service.

Alarm Code	Description	Reason	Solution
E30	Door Lock	Door is not closed properly.	Check the door and restart with door closed.
		Call for service if problem persists.	

E10	Water filling issue (Water filling time exceeds 5 minutes.)	Tap is not turned on fully or water flows too slowly. Inlet valve filter may be blocked. Inlet pipe may be twisted Water is shut off.	Open the tap or wait until water flows normally. Check inlet valve filter. Straighten water pipe. Check other taps in the room/house.
		Call for service if problem persists.	
E21	Improper draining (Drain time exceeds 3 minutes.)	Outlet hose is blocked or twisted. Drain pump is blocked.	Wash and straighten outlet hose. Wash drain pump filter.
		Call for service if problem persists.	

## COMMON FABRIC CARE SYMBOLS

Symbol	Explanation
	Hand wash
	Washing (including machine wash and hand wash)
	Dry clean
	Warmly dry clean
	Bleach
	Tumble dry
	Iron
	Steam iron
	Medium temperature and maximum temperature 302°F
	Line dry
	No machine wash
	Do not wash
	No dry clean
	No wring
	No bleach
	Do not tumble dry
	Do not iron
	Iron with cloth
	Dry after wash
	Line dry in shade



## Limited Warranty

MC Appliance Corporation warrants each new Ventless Washer Dryer Combo to be free from defects in material and workmanship, and agrees to remedy any such defect or to furnish a new part(s), at the company's option, for any part(s) of the unit that has failed during the warranty period. Parts and labor expenses are covered on this unit for a period of one year from the date of purchase. A copy of the dated sales receipt/invoice is required to receive warranty service, replacement or refund.

This warranty covers appliances in use within the contiguous United States, Alaska, Hawaii and Puerto Rico. This warranty does not cover the following:

- Damages due to shipping damage or improper installation.
- Damages due to misuse or abuse.
- Content losses due to failure of the unit.
- Inside components such as filters, etc.
- Repairs performed by unauthorized service agents.
- Service calls that do not involve defects in material and workmanship such as instructions on proper use of the product or improper installation.
- Replacement or resetting of house fuses or circuit breakers.
- Failure of this product if used for other purposes than its intended purpose.
- Disposal costs for any failed unit not returned to our factory.
- Any delivery/installation costs incurred as the result of a unit that fails to perform as specified.
- Expenses for travel and transportation for product service if your appliance is located in a remote area where service by an authorized service technician is not available.
- The removal and reinstallation of your appliance if it is installed in an inaccessible location or is not installed in accordance with published installation instructions.
- Refunds for non repairable products are limited to the price paid for the unit per the sales receipt.
- This warranty is non transferable. This warranty applies only to the original purchaser and does not extend to any subsequent owner(s).

### Limitations of Remedies and Exclusions:

Product repair in accordance with the terms herein, is your sole and exclusive remedy under this limited warranty. Any and all implied warranties including merchantability and fitness for a particular purpose are hereby limited to one year or the shortest period allowed by law. MC Appliance Corporation is not liable for incidental or consequential damages and no representative or person is authorized to assume for us any other liability in connection with the sale of this product. Under no circumstances is the consumer permitted to return this unit to the factory without the prior written consent of MC Appliance Corporation.

Some states prohibit the exclusion or limitation of incidental or consequential damages, or limitations on implied warranties. This warranty gives you specific legal rights, and you may also have other rights which vary from state to state.

Model	Parts	Labor	Type of Service
MCSCWD20W3	One Year	One Year	In Home

For Service or Assistance please call **888-775-0202** or visit us on the web at [www.mcappliance.com](http://www.mcappliance.com) to request warranty service or order parts.





**CNA International, Inc. d/b/a MC Appliance Corporation. All rights reserved.  
Magic Chef® logo is a registered trademark of CNA International, Inc.**

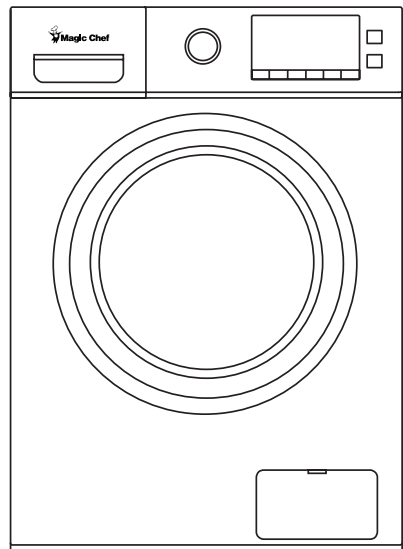
**[www.mcappliance.com](http://www.mcappliance.com)**

**Printed in China**



# Combo de lavadora y secadora sin ventilación de 2.0 pies cúbicos

*Manual del usuario*



Modelo MCSCWD20W3

**LEA ESTE MANUAL ANTES DE UTILIZAR SU COMBO DE LAVADORA Y SECADORA Y GUÁRDELO PARA FUTURA REFERENCIA.**



## Registración del producto

Gracias por comprar el producto Magic Chef®. El primer paso para proteger su nuevo producto es completar la forma de registración en nuestra pagina web: [www.mcappliance.com/register](http://www.mcappliance.com/register). Los beneficios de registrar su producto incluyen lo siguiente:

1. Al registrar su producto nos permite contactarle para notificarle de un cambio de seguridad o actualización del producto.
2. Si llegara a necesitar servicio bajo garantía, registrando su producto nos permite ser más eficiente en procesar el servicio.
3. En el evento que usted tenga una perdida que esta cubierto por un seguro, registrando su producto puede servir como prueba de su compra.

Una vez más gracias por comprar un producto marca Magic Chef®.



# ÍNDICE

REGISTRACIÓN DEL PRODUCTO .....	32
PRECAUCIONES .....	34
INSTRUCCIONES DE SEGURIDAD IMPORTANTES .....	37
ESPECIFICACIONES .....	39
REQUISITOS DE INSTALACIÓN .....	40
INSTRUCCIONES DE INSTALACIÓN .....	42
PARTES Y FUNCIONES .....	45
ANTES DE SU USO .....	49
INSTRUCCIONES DE FUNCIONAMIENTO .....	51
CUIDADO Y MANTENIMIENTO .....	54
SOLUCIÓN DE PROBLEMAS .....	56
GARANTÍA LIMITADA .....	59

# PRECAUCIONES

▲ **NOTA:** Antes de usar el conjunto de lavadora/secadora, lea atentamente este manual y consérvelo para futuras referencias.

## LEA ESTE MANUAL DEL USUARIO

En este manual, usted encontrará información útil sobre cómo utilizar y dar mantenimiento correctamente a su conjunto de lavadora/secadora. Usted encontrará muchas de las respuestas a los problemas comunes en la sección Solución de Problemas. Revise este manual para garantizar la seguridad y el funcionamiento correcto del electrodoméstico.

## DESEMBALAR LA LAVADORA

1. Inspeccione y quite todo el material de embalaje incluidos los dos bloques de espuma de abajo.
2. Inspeccione y quite todo el embalaje, la cinta y los materiales impresos removibles restantes antes de encender su conjunto de lavadora/secadora.

▲ **ADVERTENCIA:** Existe el riesgo de que un niño quede atrapado

Es necesario vigilar a los niños. Este electrodoméstico es para utilizarse sólo para el propósito para el que fue construido tal como se describe en este manual. Lea detenidamente las salvaguardias recomendadas.

## INSTRUCCIONES DE ELECTRICIDAD

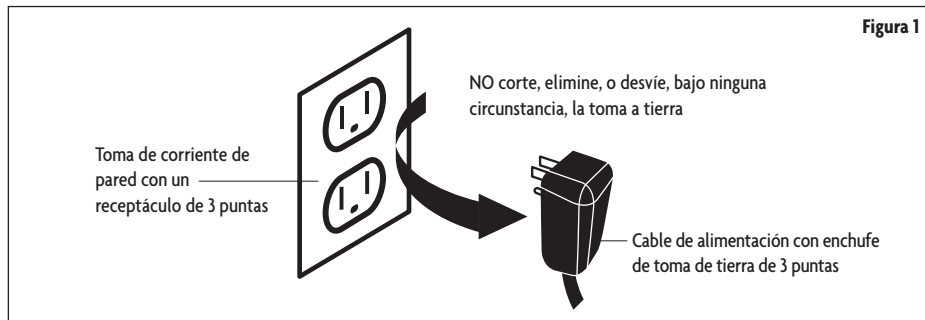
▲ **ADVERTENCIA:** Para la seguridad personal

- NO utilice un cable de extensión o un enchufe adaptador con este electrodoméstico.
- NO corte o quite, bajo ninguna circunstancia, la conexión a tierra del cable de electricidad.

Asegúrese de que la tensión nominal y la frecuencia de la toma de corriente correspondan a aquellos en la etiqueta. Utilice el fusible 10 amp, el fusible de retardo de tiempo o disyuntor recomendado.

## INSTRUCCIONES DE PUESTA A TIERRA

Este aparato debe estar conectado a tierra. En el caso de mal funcionamiento o avería, la conexión reducirá el riesgo de descargas eléctricas. Este electrodoméstico está equipado con un conductor de conexión a tierra y un enchufe con descarga a tierra. El electrodoméstico debe estar conectado a una toma de corriente que esté correctamente instalada y conectada a tierra.



**▲ ADVERTENCIA:** El uso incorrecto del enchufe de toma de tierra o de la toma de corriente puede resultar en un riesgo de descarga eléctrica. Consulte con un electricista o técnico calificado si no entiende completamente las instrucciones para la a conexión a tierra.

**▲ ADVERTENCIA:** Esta lavadora debe estar conectada a un circuito separado de otros aparatos eléctricos. De lo contrario, el disyuntor puede dispararse o el fusible puede quemarse.

## ANTES DE PONER EN FUNCIONAMIENTO ESTE ELECTRODOMÉSTICO

- Los materiales de embalaje pueden ser peligrosos para los niños. Mantenga todos los materiales de embalaje (bolsas de plástico, espumas, etc.) fuera del alcance de los niños.
- Asegurarse de que el agua y los dispositivos eléctricos sean conectados correctamente por un técnico calificado, de acuerdo con las instrucciones del fabricante (consulte “Requisitos de instalación” en la página 40) y las normas de seguridad locales.
- Antes de poner en funcionamiento la máquina, se debe remover todo el embalaje y pernos de transporte. (Consulte “Quitar pernos de transporte” en la página 42.) De lo contrario, la lavadora puede verse seriamente dañada durante la operación.
- Antes de lavar ropa por primera vez, la lavadora debe operar en “Algodón” y “Agua caliente”, sin ropa adentro. (Consulte “Lavado de la ropa” en la página 51.)
- Esta lavadora es sólo para uso en interiores.

## PROTEGER ESTE ELECTRODOMÉSTICO

- NO se suba a o se siente en la cubierta superior del electrodoméstico.
- NO se apoye de la puerta.
- NO cierre la puerta con fuerza excesiva. Si es difícil cerrar la puerta, revise que la unidad no esté sobrecargada y que la ropa esté bien distribuida dentro de la máquina.

## PRECAUCIÓN DURANTE LA MANIPULACIÓN

- Antes de transportar, los pernos de transporte deben reinstalarse en la máquina por una persona cualificada.
- El agua acumulada debe sacarse de la máquina.
- Maneje el aparato con cuidado. NUNCA aguante o levante el aparato por una parte que sobresalga.

## PRECAUCIÓN AL LAVAR LA ROPA

- El agua fría y caliente deben estar conectadas en conformidad con la normativa local.
- Esta máquina es sólo para uso doméstico y está diseñada sólo para la ropa y las prendas adecuadas para máquinas de lavado y secado.
- Los solventes inflamables, explosivos o tóxicos están prohibidos. No se debe usar gasolina, alcohol, etc. como detergentes. Utilice sólo detergentes que sean adecuados para lavado a máquina, especialmente para lavadoras de carga frontal.
- NO lave alfombras o tapetes.
- Esta lavadora descarga agua caliente y la unidad y sus piezas, entre ellas la puerta de la unidad, puede llegar a ponerse muy caliente. Actúe con cautela.
- NUNCA rellene el agua a mano durante un ciclo de lavado.

- Después de que el ciclo de lavado y secado haya terminado, abra la puerta después de la campana y desconecte el suministro eléctrico de la máquina.
- Desconecte el abastecimiento de agua y de energía eléctrica inmediatamente después de que la ropa esté lavada y seca.
- Siga SIEMPRE las instrucciones de cuidado de tela recomendadas por el fabricante de la prenda. (Consulte “Símbolos de cuidado para tela común” en la página 57.)
- NO utilice la lavadora si tiene un cable de alimentación desgastado o dañado o enchufe suelto. Póngase en contacto con un agente de servicio autorizado.
- NO encienda la máquina de lavar si las guardas, paneles o fijaciones, excepto los tornillos de fijación de transporte, se han quitado. Verifique las conexiones de la manguera de llenado regularmente para asegurarse de que está apretada y que no presenta fugas.
- NO utilice la lavadora si faltan piezas o están rotas.

**▲ NOTA:** SIEMPRE comuníquese con el fabricante o un agente de servicio cualificado para cualquier instrucción del manual que no esté clara.

**▲ ADVERTENCIA:** Instalación

- Instale el electrodoméstico de acuerdo con las instrucciones del fabricante y los códigos locales.
- Ciertas condiciones pueden obstruir el flujo del secador y aumentar el riesgo de incendio.
- Para reducir el riesgo de lesiones graves o muerte, siga todas las instrucciones de instalación cuidadosamente.
- Para reducir el riesgo de incendio, el electrodoméstico debe estar adecuadamente fijado al suelo.

**▲ ADVERTENCIA:** Desechar

- Para desecharlo correctamente, póngase en contacto con su servicio de recogida de basuras local para saber las regulaciones locales.
- Corte el cable de alimentación antes de desecharlo.
- El incumplimiento de estas advertencias puede provocar lesiones personales graves o la muerte.

# INSTRUCCIONES DE SEGURIDAD IMPORTANTES

## **▲ ADVERTENCIA:** Uso correcto

Para reducir el riesgo de incendio, choque eléctrico o lesiones personales con su electrodoméstico, siga estas directrices básicas de precaución, que incluyen las siguientes:

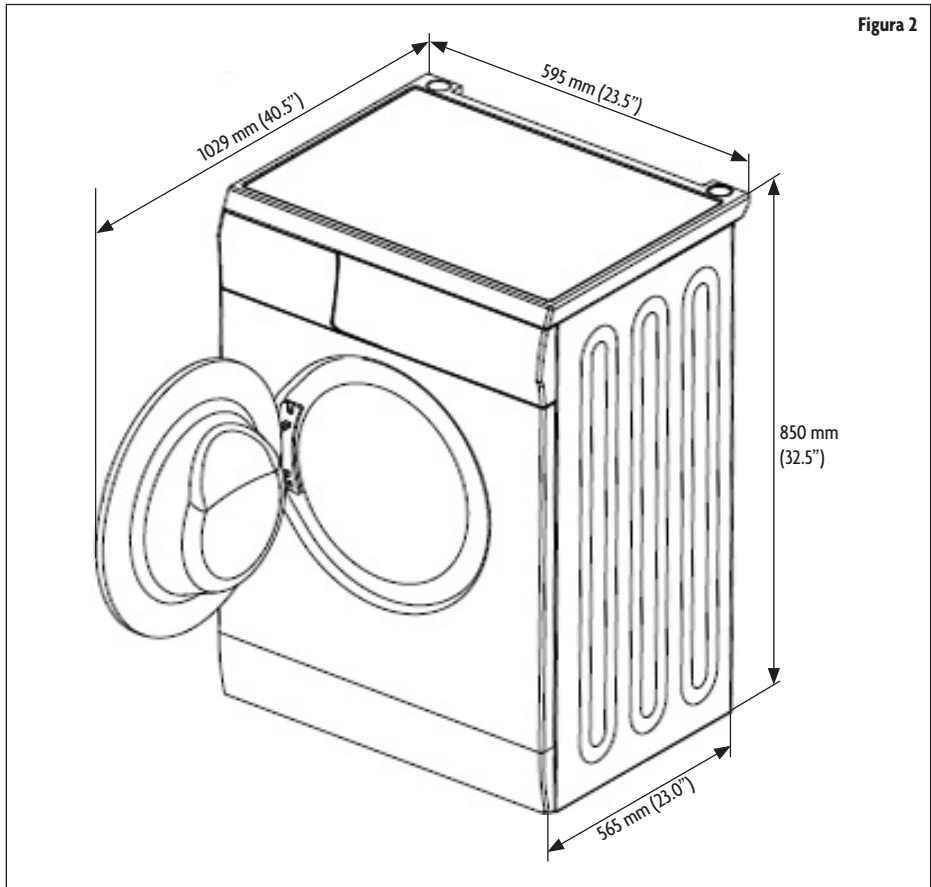
1. Lea todas las instrucciones antes de utilizar el electrodoméstico. La unidad debe estar instalada correctamente, tal y como se describe en este manual antes de usarse.
2. Desenchufe SIEMPRE la lavadora de la fuente de alimentación antes de realizar cualquier servicio. Desconecte el cable de alimentación sujetando el enchufe, no el cable. NUNCA tire del enchufe con las manos húmedas o mojadas.
3. NO lave los artículos que han sido previamente limpiados, lavados, empapados, o manchados con gasolina, solventes de limpieza en seco u otras sustancias inflamables o explosivas, puesto que pueden contener vapores que podría incendiarse o explotar.
4. NO agregue gasolina, solventes de limpieza en seco u otras sustancias inflamables o explosivas en el agua de lavado. Estas sustancias podrían incendiarse o explotar.
5. Si el sistema de agua caliente no se ha utilizado durante 2 semanas o más, encienda todas grifos de agua caliente y deje que el agua fluya por varios minutos antes de usar la lavadora. Bajo ciertas condiciones, el gas de hidrógeno (que es EXPLOSIVO) se pueden producir en un sistema de calentamiento de agua que no ha estado en uso. Esto liberará el gas de hidrógeno acumulado. NO fume ni use una llama abierta durante este proceso, ya que el gas de hidrógeno es altamente inflamable.
6. Para reducir el riesgo de incendio, la ropa, los trapos de limpieza, los cabezales de mapas entro otros que tienen restos de cualquier sustancia inflamable (es decir aceite vegetal, aceite de cocina, derivados del petróleo o aceites destilados, ceras, grasas, etc. ) no deben colocarse en la lavadora. Estos artículos pueden contener sustancias inflamables que, incluso después del lavado, pueden crear humo o prenderse en fuego.
7. NUNCA coloque artículos en la lavadora que se hayan humedecido con gasolina o cualquier material combustible o sustancias explosivas. NO lave ni seque nada que se haya empapado o manchado con cualquier tipo de aceite (incluidos los aceites de cocina). Si lo hace, puede provocar un incendio, explosión, o la muerte.
8. NO permita que los niños jueguen encima o dentro del aparato. Es necesario vigilar de cerca a los niños y los animales domésticos alrededor del aparato, ya que pueden treparse o alterar el equipo. Verifique la máquina antes de cada uso.
9. La puerta de vidrio o el protector puede ponerse muy caliente durante y después de la operación. Mantenga a los niños y las mascotas alejadas de la máquina durante y después de cada operación.
10. Esta lavadora no es para su uso por personas (incluidos los niños) con capacidad física, psíquica o sensorial reducida o falta de experiencia y conocimiento.
11. Cuando los niños cumplen edad suficiente para trabajar con el aparato, los padres o tutores legales tienen la responsabilidad legal, de garantizar que se les instruya en prácticas de seguridad por personas calificadas.
12. NO lave a máquina materiales de fibra de vidrio (tales como cortinas y decoraciones para ventanas que contienen materiales de fibra de vidrio). Las partículas pequeñas pueden permanecer en la lavadora y pegarse a las telas en las tandas siguientes lo que puede causar irritación de la piel.
13. NO introduzca las manos en el aparato si la bañera o el agitador está en movimiento. Antes de cargar, descarga, o agregar artículos, presione el botón [START/PAUSE] y deje que el tambor se detenga completamente antes de introducir las manos.

14. NO instale o guarde este aparato donde esté expuesto a condiciones climáticas exteriores o a temperaturas por debajo del punto de congelación.
15. NO manipule los controles.
16. NUNCA detenga la secadora antes de la finalización del ciclo y mueva la ropa para que el calor se disperse.
17. Desconecte el enchufe de la toma de corriente antes de realizar cualquier limpieza o mantenimiento.
18. Asegúrese de que el agua dentro del tambor se haya drenado completamente antes de abrir la puerta. NO abra la puerta si hay agua visible.
19. Si el enchufe o el cable de alimentación está dañado, debe reemplazarse por el fabricante o un agente de servicio calificado para evitar cualquier peligro.
20. Esta lavadora debe estar conectada a una toma de tierra de 120 V, 60 Hz. Asegúrese de que la tensión y frecuencia cumplen con los requisitos de la lavadora.
21. Para garantizar su seguridad, el enchufe debe estar completamente insertado en un receptáculo a tierra adecuado de 3 puntas. Revise cuidadosamente y asegúrese de que el receptáculo está correctamente conectado a tierra y es fiable.
22. Para reducir el riesgo de incendio, NO seque artículos que contengan goma de espuma o materiales con textura similar a la goma.
23. Antes de que el aparato se saque de servicio o se deseche, quite la puerta y corte el cable de alimentación.
24. Se recomienda desconectar el enchufe y cortar el suministro de agua después de usarla.
25. NO repare o cambie piezas del electrodoméstico o intente cualquier servicio a menos que esté específicamente recomendado en el manual del usuario. Póngase en contacto con un centro de servicio/ agente calificado a través del fabricante para cualquiera y todas las reparaciones que no se recomiendan en el manual.

**LEA Y SIGA CUIDADOSAMENTE  
ESTA INFORMACIÓN DE SEGURIDAD  
GUARDE ESTAS INSTRUCCIONES**

# ESPECIFICACIONES

Figura 2



Altura	850 mm (32.5")
Ancho	595 mm (23.5")
Profundidad	565 mm (23.0")
Profundidad con puerta abierta	1029 mm (40.5")
Peso	79.0 kg (174.0 lbs.)
Voltaje / Frecuencia	AC 120V-60Hz
Corriente nominal	12A
Capacidad de lavado	7.0 kg (15.0 lbs.)
Capacidad en seco	3.5 kg (7.7 lbs.)
Tamaño del tambor	2.0 cu. ft.
Presión de agua estándar	0.05Mpa - 1.0Mpa

# REQUISITOS DE INSTALACIÓN

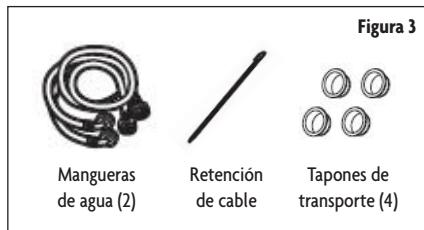
## HERRAMIENTAS Y PIEZAS

Reúna las herramientas y las piezas necesarias antes de iniciar la instalación. Las piezas se encuentran en el tambor de la lavadora. (Consulte la Figura 3.)

Herramientas recomendadas  
(NO incluidas con la compra de la unidad)

- Tuerca de 1/4" con casquillo de trinquete de 3/8"
- Llave abierta de 3/8"
- Llave ajustable o casquillo de trinquete de 7/16
- Llave ajustable o llave abierta de 9/16
- Pinza ajustable de bloqueo
- Nivel de carpintero

Piezas incluidas



## DESEMBALAR LA LAVADORA

- Desembale la lavadora y verifique que no haya daños.
- Asegúrese de que todas las Piezas Incluidas (como se muestra en la Figura 3) están en la bolsa.
- Si hay algún daño en la lavadora o cualquier elemento se pierde, póngase en contacto con su distribuidor local inmediatamente.

## DESECHAR EL MATERIAL DE EMBALAJE

Los materiales de embalaje de este aparato pueden ser peligrosos para los niños y deben mantenerse fuera del alcance de los niños y desecharse de manera adecuada. Deseche los materiales de embalaje según las regulaciones locales.

## REQUISITOS DE UBICACIÓN

Seleccionar de la ubicación correcta para su lavadora mejora el rendimiento, minimiza el ruido y evita que la lavadora se mueva de lugar. Su lavadora puede instalarse en un mueble personalizado, en un sótano, lavadero, armario empotrado o en área con un hueco. Consulte las "Opciones de sistema de drenaje" en la página 43 para obtener instrucciones sobre protocolo de drenaje correcto. También deben considerarse los requisitos de ubicación de los aparato acompañantes. NO instale la unidad en un cuarto de baño (o cuarto húmedo) o habitaciones que pueden contener explosivos o gases cáusticos. La instalación correcta es importante para la operación de su conjunto de lavadora y secadora. Antes de instalar la lavadora, la ubicación debe ser cuidadosamente seleccionada en base a los siguientes requisitos:

- Superficie rígida, seca y nivelada (si su superficie no está nivelada, ajuste las piernas niveladoras. (Consulte "Nivelación de la lavadora" en la página 43.)
- Evite la exposición del aparato a la luz solar directa.
- Permita una ventilación adecuada.
- La temperatura de la habitación debe estar por encima de 0°C (32°F).
- Mantenga lejos de fuentes de calor como el carbón o el gas.



- Asegúrese de que la lavadora no está sobre el cable de alimentación.
- NO instale la lavadora en piso alfombrado o sobre una alfombra.

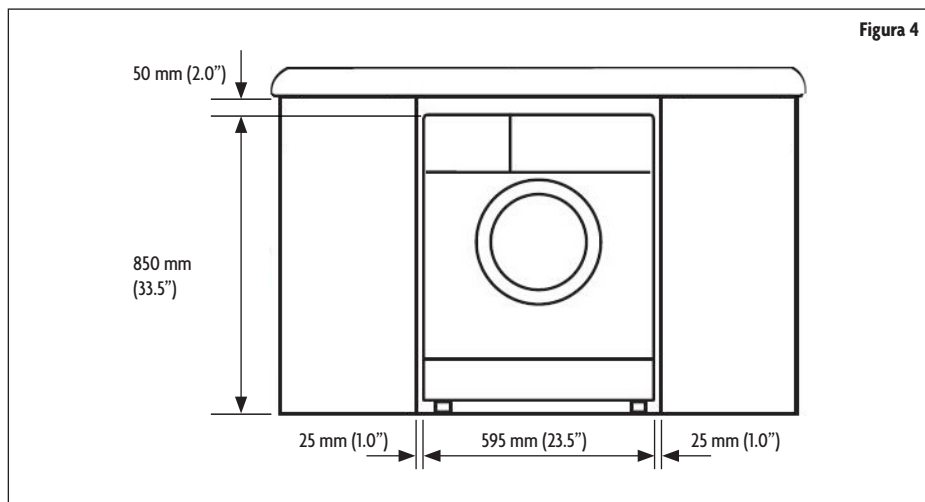
Usted necesitará:

- Un calentador de agua que suministre agua a 49°C (120°F) a la lavadora.
- Una salida eléctrica con toma de tierra ubicada dentro de 6 pies. (1,8 M) de donde el cable de alimentación esté conectado a la parte posterior de la lavadora. Consulte la sección “Instrucciones de puesta a tierra” en la página 34.
- Grifos de agua fría y caliente situados dentro de 4 pies. (1,2 M) de las válvulas de llenado de agua caliente y fría y presión del agua de 20-100 psi (137,9 - 689,6 kPa).
- Un suelo plano con una pendiente máxima de 1" (25 mm) debajo de la lavadora. NO instale la lavadora en superficies de suelo blando, como alfombras o superficies con refuerzo de espuma.
- Un piso sólido y resistente para soportar la lavadora con un peso total (agua y tanda) de 200lbs.
- NO utilice su lavadora a temperaturas inferiores a 0°C (32°F). Un poco de agua puede permanecer en la lavadora, y puede causar daños a bajas temperaturas.

## ESPACIO EN EL LUGAR DE INSTALACIÓN

- La ubicación debe ser lo suficientemente grande para permitir que la puerta de la lavadora abra completamente.
- Debe considerarse espacio adicional para una mayor facilidad de instalación y mantenimiento. La puerta se abre más de 90° y no es reversible.
- Pueden ser necesarios espacios libres adicionales para pared, puerta y molduras de piso.
- Se recomienda espacio adicional de 25 mm (1") en todos los lados de la lavadora para reducir el ruido.
- También debe considerarse el espacio para los aparato acompañantes.

## DISTRIBUCIÓN RECOMENDADA PARA INSTALACIÓN DEBAJO DEL MUEBLE

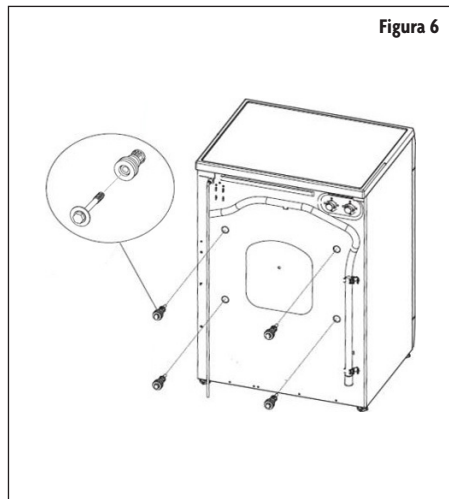
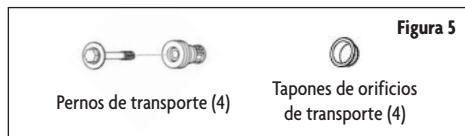


# INSTRUCCIONES DE INSTALACIÓN

## QUITAR PERNOS DE TRANSPORTE

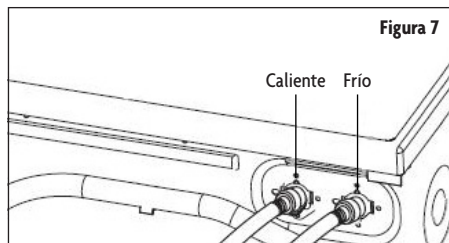
Antes de utilizar esta lavadora, deben retirarse los pernos de transporte de la parte posterior de la máquina. Realice los siguientes pasos para quitar los pernos:

1. Afloje los pernos con una llave y, a continuación, quítelos.
2. Cubra los agujeros con los tapones de los orificios de transporte incluidos.
3. Guarde los pernos de transporte correctamente para uso futuro.



## CONECTAR EL TUBO DE ENTRADA

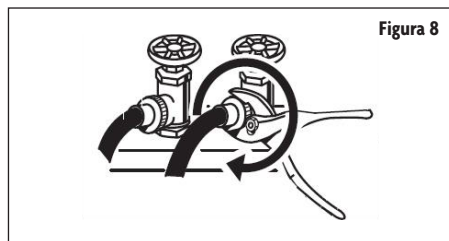
Conecte el tubo de entrada como se indica en la Figura 7. Para los modelos con una válvula caliente, conecte la válvula de agua caliente al grifo de agua caliente.



## INSTALAR EL TUBO DE ENTRADA

1. Conecte el codo al grifo y fíjelo en sentido de las manecillas del reloj. (Consulte la Figura 8.)
2. Conecte el otro extremo del tubo de entrada a la válvula de entrada en la parte de atrás de la lavadora y fije el tubo firmemente en sentido de las manecillas del reloj.

**▲ NOTA:** Después de la conexión, si hay alguna fuga en la manguera, repita los pasos anteriores para conectar el tubo de entrada. Si el grifo es cuadrado o demasiado grande, debe modificarse a un grifo estándar para permitir que ajuste correctamente.



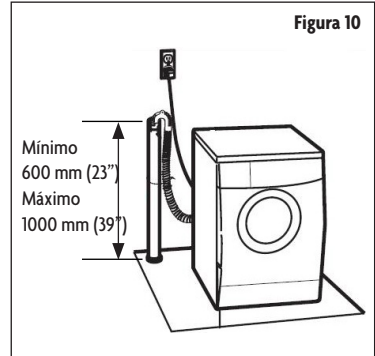
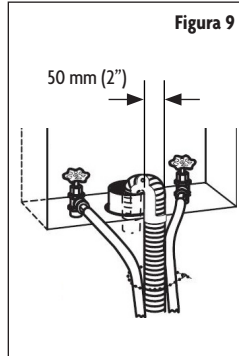
## OPCIONES DEL SISTEMA DE DRENAJE

### Sistema de drenaje vertical

#### Pared (Figura 9) o Suelo (Figura 10)

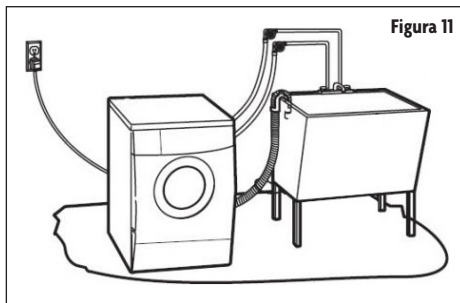
El drenaje vertical requiere un diámetro vertical mínimo de 50 mm (2"). La capacidad de caudal mínimo no debe ser inferior a 64 litros (17 galones) por minuto.

La parte superior del tubo vertical debe ser de al menos 60 cm (23") de altura y no más de 100 cm (39") desde la parte inferior de la lavadora.



### Sistema de drenaje del lavadero (Figura 11)

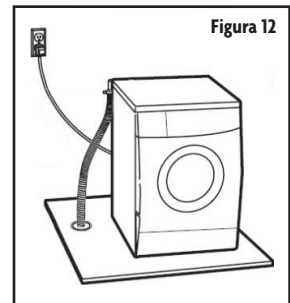
El lavadero necesita una capacidad mínima de 76 litros (20 galones). La parte superior de la lavadora debe estar al menos 60 cm (23") por encima del suelo.



### Sistema de drenaje de piso (Figura 12)

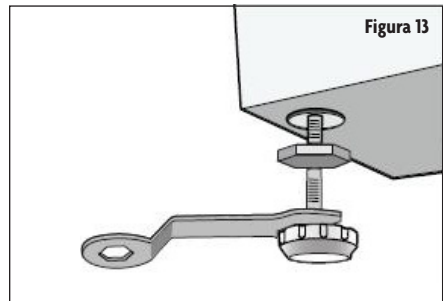
El sistema de drenaje de piso requiere un interruptor de efecto sifón que puede adquirirse por separado.

El interruptor de efecto sifón del sifón debe estar a un mínimo de 710 mm (28") de la parte inferior de la lavadora. (Puede que sea necesario comprar una manguera adicional.)

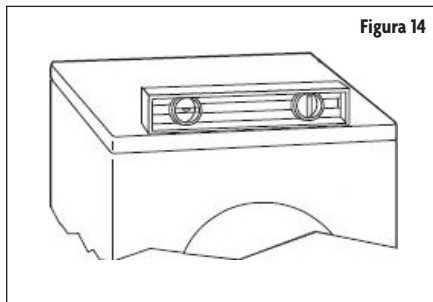


## NIVELACIÓN DE LA LAVADORA

1. Cuando posicione la lavadora, verifique que las piernas están cerca del gabinete. Si no, devuelva a su posición original con la mano o una llave y apriete las tuercas.
2. Después de posicionar la lavadora, presione las cuatro (4) esquinas de la cubierta superior de la lavadora en secuencia. Si la lavadora no está estable cuando la presione, la pierna debe ajustarse.
3. Asegure la posición de la lavadora. Afloje la tuerca de bloqueo con una llave y gire la pierna con la mano hasta que haga contacto con el suelo. (Consulte la Figura 13.) Presione la pierna con una mano y apriete la tuerca cerca del gabinete con la otra mano.



- Después de haberla fijado correctamente, presione las cuatro (4) esquinas nuevamente para asegurarse de que las piernas se han ajustado correctamente. Si todavía está inestable, repita los pasos 2 y 3.
- Utilice un nivel de carpintero en los cuatro (4) lados para asegurar que el aparato está a nivel.



## CONEXIÓN ELÉCTRICA

- Como la corriente máxima a través de la unidad es de 12A, cuando se utiliza la función de calefacción (secador), asegúrese de que el sistema de suministro de energía eléctrica (de corriente, tensión y el cable) en su casa cumplen con los requisitos de este aparato.
- Conecte el cable de alimentación a un enchufe que esté correctamente instalado y conectado a tierra correctamente.
- Asegúrese de que la tensión es compatible con lo que indica la etiqueta de la máquina.
- El enchufe de alimentación debe coincidir con el receptáculo y la unidad debe ser conectada a tierra eficaz y correctamente.
- NO utilice un enchufe, receptáculo o cable de extensión multi-propósito.
- NO conecte y desconecte el enchufe con las manos mojadas.
- Al conectar y desconectar el enchufe, sostenga el enchufe firmemente por la base y, a continuación, tire de ella hacia el afuera. NO tire del enchufe de alimentación o el cable con fuerza.

### ▲ **NOTA:** Cable de alimentación dañado

- NO opere la máquina con un cable de alimentación dañado.
- NO intente reparar un cable de alimentación dañado.

# PARTES Y FUNCIONES

## CONTROL PANEL

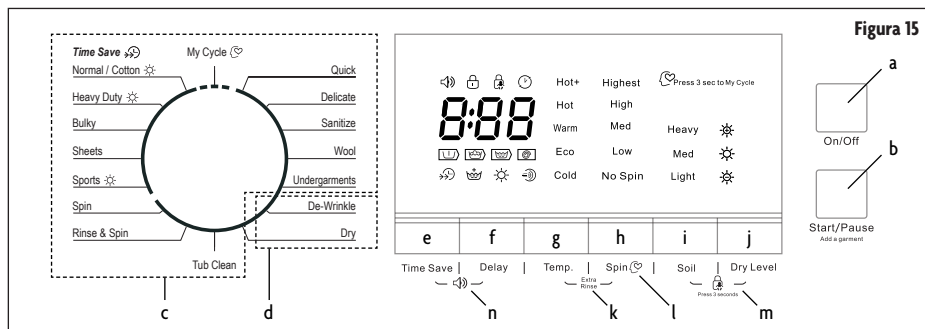


Figura 15

- Encendido/Apagado: Presione [On/Off] para ENCENDER la unidad con la pantalla LCD iluminada. Vuelva a presionar ese botón para APAGAR la unidad.
 

**▲ NOTA:** Si la lavadora está en pausa y el actual ciclo de lavado no se reanuda dentro de 10 minutos, el ciclo se cancelará y la unidad se apagará automáticamente.
- Inicio/Pausa: Presione [Start/Pause] para iniciar un ciclo de lavado. Presione [Start/Pause] otra vez para hacer una pausa en el ciclo cuando la lavadora está en marcha. Presione [Start/Pause] para reanudar una vez más.
- Ciclos de lavado
  - Normal/Cotton (Normal/Algodón): Seleccione esta opción para artículos de algodón y telas que utiliza regularmente.
    - Ciclo de lavado extendido con mayor intensidad
    - Se recomendada para telas: algodón, ropa de cama, sábanas, camisetas, toallas, pantalones vaqueros, etc.
    - Se puede añadir ciclo de secado.
  - Heavy Duty (Tareas pesadas): Seleccione esta opción para prendas grandes y pesadas.
    - Se puede añadir ciclo de secado.
  - Bulky (Prendas voluminosas): Seleccione esta opción para artículos voluminosos y grandes.
    - Ciclo de lavado extendido
  - Sheets (Sábanas): Seleccione esta opción para sábanas y edredones.
  - Sports (Ropa deportiva): Seleccione esta opción para ropa deportiva.
    - Este ciclo de lavado limpia las prendas muy sucias.
  - Spin (Centrifugado): Seleccione esta opción para hacer girar una tanda regular por separado desde el ciclo de lavado.
    - El agua con detergente o el agua de enjuague se debe vaciar antes del centrifugado.
  - Rinse & Spin (Enjuague y centrifugado): Seleccione esta opción para enjuagar y hacer girar una tanda regular por separado de un ciclo de lavado.
    - Esto puede ser útil para prevenir que manchas frescas se impregnen a las telas.
  - Quick (Lavado rápido): Seleccione esta opción para lavar rápidamente pocas prendas que no estén muy sucias.

9. Delicate (Ropa delicada): Seleccione esta opción para los telas delicadas como camisetas de vestir, nailon, etc.
  - El ciclo de lavado funciona a una temperatura más baja.
10. Sanitize (Esterilización): Seleccione esta opción para eliminar acumulación de detergente y otros residuos.
  - Utiliza alta temperatura para esterilizar la ropa.
  - NO drene el agua. Debe seleccionar otro programa para completar el proceso.
11. Wool (Lana): Esta opción sólo se utiliza para lavar prendas de lana etiquetadas como "Lavable a máquina".
  - El detergente debe ser para los telas de lana.
  - Velocidad de centrifugado menor y menos agitación
12. Undergarments (Ropa interior): Seleccione esta opción para lavar poca ropa o ropa ligeramente sucia.
  - El ciclo de lavado incluye enjuague adicional.
  - Se puede añadir ciclo de secado.
13. My Cycle (Mi ciclo): Seleccione esta opción para guardar como predeterminado un programa de lavado que utilice frecuentemente.
  - Para programarlo, seleccione las configuraciones que desee utilizar. Luego presione [Spin] y manténgalo presionado durante 3 segundos para guardarlo.

d. Ciclos de secado

**▲ NOTA:** Notas importantes para ciclos de secado

Si la máquina se va a utilizar para secar una tanda, la tanda de lavado debe reducirse a la mitad para un secado eficaz. Si se lava una tanda completa, quite la mitad de la ropa antes de iniciar el ciclo. Consulte la sección "Panel de control" en la página 45 para obtener más información sobre cómo hacer una pausa en el ciclo.

NO corte el suministro de agua o quite las conexiones de la manguera durante el ciclo de secado. Esta es una unidad sin respiradero que libera humedad durante los ciclos de lavado.

La secadora está equipada con un bloqueo de seguridad para garantizar temperaturas seguras y evitar quemaduras y otros peligros de seguridad. La puerta quedará bloqueada durante el ciclo de secado hasta que la unidad alcance una temperatura segura. Una vez la temperatura sea segura, la puerta debe abrir y funcionar normalmente.

Ciclos secado en seco

1. De-Wrinkle (Desarrugar): Seleccione esta opción para quitar las arrugas de la ropa. Sólo hay aire durante este ciclo. El tiempo máximo de secado es de 31 minutos.

**▲ NOTA:** la unidad dejará de secar automáticamente después de 31 minutos incluso si la ropa no está completamente seca.

2. Dry (Secado): Esta opción es sólo para el secado de una carga de ropa. Seleccione el Nivel de Secado según la carga.

Ciclos combinados de lavado/secado

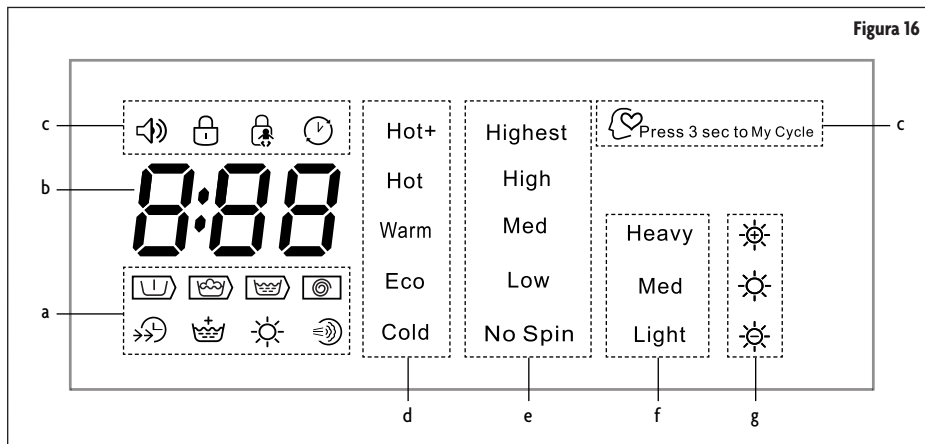
- Seleccione esta opción para secar la ropa inmediatamente después del lavado con los ciclos de lavado Algodón/Normal, Tareas pesadas o Ropa deportiva. La unidad pasará de lavado a secado.
- Debe seleccionar esta opción antes de iniciar el ciclo de lavado.
- Primero seleccione el ciclo de lavado deseado (consulte el cuadro de la página 52 para ver los ciclos de secado compatibles). Luego, agregue la opción secado haciendo clic en el botón [Dry Level] hasta llegar al nivel de secado deseado. En la pantalla debería aparecer un ícono de sol que le indicará el tiempo de secado agregado.

**▲ NOTA:** Preste atención al tamaño de la tanda cuando utiliza esta opción. Sólo lave tandas para la capacidad de la secadora. (Consulte "Capacidad lavadora y secadora" en la página 50).

- e. Time Save (Ahorro de tiempo): Presione [Time Save] para disminuir el tiempo de lavado.
- f. Delay (Retraso): Presione [Delay] para establecer el tiempo de retraso en que debe comenzar el lavado.
  - La luz del inicio del retraso parpadeará para indicar el tiempo de retraso. Puede demorar el tiempo de inicio del ciclo entre 1 y 24 horas.
- g. Temp. (Temperatura): Presione [Temp.] para establecer la temperatura de lavado deseada.
- h. Spin (Centrifugado): Presione [Spin] para aumentar la velocidad del centrifugado.
  - El tambor de la lavadora gira a una velocidad de hasta 1.200 RPM, lo que reduce el tiempo de secado y ahorra energía.
  - Presione el botón hasta que se encienda la velocidad deseada (Sin centrifugado, Velocidad baja, media, alta, máxima).
  - Algunas telas (es decir las prendas delicadas) requieren una velocidad de centrifugado menor.
  - Las velocidades altas de centrifugado no están disponibles en todos los ciclos.
- i. Soil (Suciedad): Presione [Soil] para aumentar el tiempo para artículos más sucios.
  - Hay tres (3) opciones de nivel de suciedad.
  - Cada barra aumenta el tiempo de lavado base por 5 minutos.
- j. Dry Level (Nivel de suciedad): Añada un ciclo de secado al final del ciclo de lavado (no disponible en todos los ciclos).
- k. Enjuague adicional: Presione los botones [Temp.] y [Spin] al mismo tiempo para añadir un ciclo de enjuague para el ciclo seleccionado.
- l. Mi ciclo: Después de modificar un ciclo de lavado, mantenga pulsado el botón [Spin] para guardar la configuración.
  - Puede seleccionar rápidamente este ciclo para el siguiente lavado girando la perilla hacia Mi Ciclo.
  - Anule la configuración guardada manteniendo pulsado el botón [Spin] nuevamente después de un ciclo diferente y seleccione las opciones.
- m. Seguro infantil: Presione [Soil] y [Dry Level] al mismo tiempo para bloquear/desbloquear el panel de control.
- n. Sonido: Presione [Time Save] y [Delay] al mismo tiempo para encender/apagar el sonido.
- o. Cambiar ciclos y opciones: No todas las opciones están disponibles con todos los ciclos. Los ciclos y las opciones se pueden cambiar en cualquier momento antes de presionar [Start/Pause].
- p. Para cancelar un ciclo:
  - Presione y mantenga presionado [On/Off] durante 3 segundos para APAGAR la unidad.
  - El ciclo de lavado se puede cambiar en este momento.
  - Presione [On/Off] una vez y seleccione la función deseada. Luego, presione [Start/Pause] para iniciar la unidad.
- q. Para vaciar manualmente la lavadora:
  - Presione [On/Off] para ENCENDER la unidad.
  - Seleccione el ciclo de centrifugado.
  - Presione [Start/Pause] para iniciar el ciclo para drenar la lavadora.
  - Cuando el ciclo de centrifugado haya terminado, la puerta se desbloqueará. Los artículos ahora se pueden sacar de la lavadora.

## PANTALLA LCD

Figura 16



- a. a. Indicador de ciclo: Indica la etapa del ciclo de lavado/secado.
- : Prelavado
  - : Lavado
  - : Enjuague
  - : Centrifugado
  - : Lavado rápido
  - : Enjuague adicional
  - : Secado
  - : Lavado con aire
- b. Reloj: Indica el tiempo restante para el final del ciclo de lavado/en secado.
- c. Indicador de funciones: Indica las funciones que están activas.
- Sonido: El sonido está encendido.
  - Cerradura de la puerta: La máquina se bloquea por la duración del ciclo.
  - Seguro infantil: El seguro infantil está activado.
  - Retraso: Temporizador de retraso está activo.
  - Mi ciclo: Ciclo personalizado está activo.
- d. Temperatura del agua: Indica la temperatura seleccionada.
- e. Velocidad del centrifugado: Indica la velocidad de centrifugado seleccionada.
- f. Indicador de nivel del sucio: Indica el nivel de suciedad seleccionada.
- g. Nivel de suciedad: Indica el nivel de secado seleccionado.



# ANTES DE SU USO

## LISTA DE COMPROBACIÓN Y PREPARACIÓN ANTES DE LAVAR ROPA

Lea estas instrucciones de funcionamiento con cuidado para evitar cualquier daño o problemas con la lavadora y la ropa. SIEMPRE siga las instrucciones que aparecen en las etiquetas de cuidado de las telas de la ropa para el cuidado apropiado.

**▲ ADVERTENCIA:** NUNCA ponga la ropa a lavar en la lavadora durante un período largo de tiempo. La ropa que se deja en la máquina puede coger moho y mancharse. La ropa también pueden decolorarse si no se lavan conforme a la temperatura de lavado y las instrucciones.

## SELECCIONAR DETERGENTE

- Se debe usar detergente/detergente en polvo de poca espuma o detergente en polvo creado para las lavadoras de tambor. De lo contrario, puede haber exceso de burbujas y el desbordamiento de la bandeja que puede dañar la unidad y provocar accidentes.
- El cloro puede dañar la ropa. Utilice cloro con cuidado y siga las instrucciones del detergente y cuidado de la vestimenta.
- Los detergentes en polvo pueden dejar residuos en la ropa. La ropa lavada con detergentes en polvo deben enjuagarse completamente.
- Algunos detergentes no se disuelven completamente si hay demasiado detergente o la temperatura del agua es demasiado baja.
- El método de lavado se basa en el peso de la ropa, nivel del sucio, la dureza del agua, así como las recomendaciones de los fabricantes de detergente. Consulte con la compañía de agua si no tiene claro la dureza del agua.

**▲ NOTA:** NO coloque ni guarde productos de lavandería, tales como detergentes, cloro o suavizante líquido, en la parte superior de la lavadora/secadora. Limpie cualquier derrame de inmediato. Estos productos pueden dañar el acabado y los controles. Mantenga los productos de lavandería en un espacio seguro y seco fuera del alcance de los niños.

## RETIRAR DE LA ROPA TODOS LOS ARTÍCULOS SUELTOS

Verifique todos los bolsillos y compartimentos de la ropa para lavar y retire todos los artículos sueltos, como las decoraciones y monedas. Los artículos sueltos pueden dañar la lavadora.

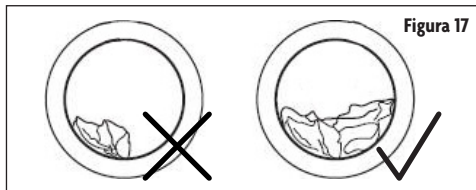
## IDENTIFICAR Y SEPARAR LA ROPA PARA LAVAR

Clasifique la ropa para lavar en algodón, fibra mezcladas, fibra sintética, seda, lana y fibras artificiales. La ropa blanca y de color se deberán identificar y separar.

**▲ NOTA:** Todos los artículos nuevos de color deben lavarse por separado.

- Accesorios: Los accesorios sueltos de algunas prendas pueden dañarse o dañar la lavadora. La ropa que contenga botones o bordados debe estar hacia adentro antes de lavarse.
- Cierres: Las cremalleras deben cerrarse y los botones o ganchos deben estar firmemente fijados. Las bandas o cintas sueltas deben estar unidas antes de lavarse.
- Es muy recomendable lavar a mano las telas que se manchan fácilmente (calcetines blancos, cuellos, mangas, etc.) antes de ponerlas en la lavadora. Utilice solo detergentes en polvo o líquido.

- Materiales a prueba de agua: No se recomienda lavar telas a prueba de agua ya que pueden dañarse o dañar a la lavadora.
- Equilibrio y tanda: Lavar una sola prenda grande y pesada, como toallas, jeans, chaquetas, etc. puede causar una tanda desequilibrada. Por lo tanto, se sugiere agregar una o dos piezas más de ropa a lavar juntas para evitar desequilibrios y que se vacíe fácil y por completo. (Consulte la Figura 17.)



## LISTA DE COMPROBACIÓN Y PREPARACIÓN PARA EL SECADO DE LA ROPA

Lea estas instrucciones de funcionamiento con cuidado para evitar cualquier daño o problemas con la secadora y la ropa. SIEMPRE siga las instrucciones que aparecen en las etiquetas de cuidado de las telas de la ropa para el cuidado apropiado.

Para un secado mayor, asegúrese de que todos los artículos de ropa en la tanda son similares en material y espesor.

NO sobrecargue la secadora. Los artículos deben ser capaces de rodar libremente. Consulte “Capacidad de Lavado y secado” a continuación para obtener más instrucciones sobre la capacidad de la secadora.

**▲ NOTA:** La capacidad de la secadora es, aproximadamente, la mitad de la lavadora.

Es recomendable sacudir las prendas antes del secado para reducir la humedad excesiva y evitar arrugas.

## CAPACIDAD DE LAVADO Y SECADO

### Capacidad de lavado

NO sobrecargue la lavadora ya que puede afectar negativamente las capacidades del lavado. Consulte la tabla de capacidad máxima de tanda.

Tipo de fibra	Capacidad máxima de tanda	Capacidad máxima de secado
Algodón	7.0 kg (15.0 lbs.)	3.4 kg (7.5 lbs.)
Sintética	3.5 kg (7.7 lbs.)	1.7 kg (3.8 lbs.)
Lana	2.5 kg (5.5 lbs.)	1.2 kg (2.7 lbs.)

### Capacidad de secado

**▲ NOTA:** La capacidad de la máquina para lavar de ropa es de hasta dos veces más que para el secado. Si la máquina se va a utilizar para secar una tanda, la tanda de lavar debe reducirse a la mitad para un rendimiento de secado eficaz. Si lava una tanda completa, quite la mitad de la ropa antes de iniciar el ciclo de secado.

# INSTRUCCIONES DE FUNCIONAMIENTO

## LAVADO DE LA ROPA

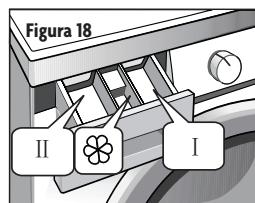
Antes de lavar ropa por primera vez, la lavadora debe correr con una pequeña cantidad de detergente y sin ropa. Siga las instrucciones siguientes.

1. Conecte fuente de energía y agua.
2. Coloque una pequeña cantidad de detergente en el dispensador de detergente y cierre.
3. Presione el botón [On/Off] (Encendido/Apagado)
4. Gire el ciclo a [Normal/Algodón] y presione el botón [Temp.] hasta que aparezca la palabra Hot [Caliente].
5. Pulse el botón [Start/Pause].

## CAJÓN DISPENSADOR DE DETERGENTE

- I. Pre-detergente o jabón en polvo
- II. Detergente principal
- ☼. Suavizante

Una vez que haya cargado la lavadora y añadido los productos de lavandería, usted está listo para lavar y secar.



## INICIAR LA LAVADORA

1. Asegúrese de que la unidad esté correctamente conectada a una fuente de alimentación y las líneas de agua.
  - El grifo debe ser abierto (en la posición abierta).
  - Coloque la tanda de lavado en el tambor.
2. Pulse el botón [On/Off]. El panel de control se iluminará.
3. Gire el selector de ciclo al ciclo deseado en función de la tanda. El panel de la pantalla LCD reflejará las funciones predeterminadas de ese ciclo.
4. Si desea modificar cualquiera de las funciones predeterminadas para el ciclo deseado, pulse sobre las distintas opciones hasta que el panel de la pantalla refleje la configuración deseada.

**▲ NOTA:** Si usted tiene un ciclo favorito, una vez que modifique todas las funciones, pulse y mantenga pulsada la tecla [Spin] para guardarlo como Mi ciclo. Según el ciclo deseado, puede que no estén disponibles todas las opciones.
5. Presione el botón [Start/Pause] para iniciar el ciclo. Una vez el ciclo comienza, la puerta se bloqueará automáticamente y ciclo de lavado comenzará. El panel de la pantalla cambiará para reflejar el tiempo estimado y el estado de lavado. En cualquier momento, puede hacer una pausa en el ciclo presionando el botón [Start/Pause].

## GUÍA DEL CICLO

Esta guía le muestra las opciones para cada ciclo.

Si aparece en la tabla, entonces esa es la opción para ese ciclo. Si hay una opción destacada en negrita, eso significa que es la configuración preseleccionada para ese ciclo.

**▲ NOTA:** Las horas de Tiempo y Ahorro de tiempo que aparecen se presentan en minutos. Dichas horas son las preseleccionadas para esos ciclos. Las horas de los ciclos pueden variar según los cambios que usted le haga al ciclo.

Ciclo	Ahorro de tiempo	Temperatura	Centrifugado	Suciedad	Secado	Tiempo	Ahorro de tiempo
Normal/ Cottom	Sí	Caliente+,	Máxima	Mucha	+	54	42
		Caliente	<b>Alta</b>	Media	0		
		<b>Tibia</b>		<b>Poca</b>	-		
		Eco	Baja				
		Fría					
Heavy Duty	Sí		<b>Máxima</b>	<b>Mucha</b>	+	134	112
		Caliente	Alta	Media	0		
		<b>Tibia</b>	Media	Poca	-		
		Eco	Baja				
		Fría	Sin centrifugado				
Bulky	Sí		Máxima	<b>Mucha</b>		104	48
		Caliente	<b>High</b>	Media			
		Tibia	Media	Poca			
		<b>Eco</b>	Baja				
		Fría	Sin centrifugado				
Sheets	Sí			Mucha		57	52
		Caliente	Alta	Media			
		Tibia	<b>Media</b>	<b>Poca</b>			
		Eco	Baja				
		<b>Fría</b>	Sin centrifugado				
Sports	Sí		Máxima	<b>Mucha</b>	+	51	38
		Caliente	<b>Alta</b>	Media	0		
		Tibia	Media	Poca	-		
		<b>Eco</b>	Baja				
		Fría	Sin centrifugado				
Spin	No		Máxima			11	-
			<b>Alta</b>				
			Media				
			Baja				
Rinse & Spin	No		Máxima			16	-
			<b>Alta</b>				
			Media				
			Baja				
			Sin centrifugado				

Cycle	Time Save	Temp.	Spin	Soil	Dry	Time	Time Save
Quick	No		Máxima	Mucha		36	-
		Caliente	<b>Alta</b>	Media			
		<b>Tibia</b>	Media	<b>Poca</b>			
		Eco	Baja				
		Fría	Sin centrifugado				
Delicate	Sí			<b>Mucha</b>		54	41
			Alta	Media			
		Tibia	<b>Media</b>	Poca			
		<b>Eco</b>	Baja				
		Fría	Sin centrifugado				
Sanitize	No	<b>Caliente+</b>		<b>Mucha</b>		152	-
				Media			
				Poca			
Wool	Sí			Mucha		105	101
			Alta	Media			
		Tibia	<b>Media</b>	<b>Poca</b>			
		<b>Eco</b>	Baja				
		Fría	Sin centrifugado				
Undergarments	Sí		Máxima	Mucha		121	100
		Caliente	<b>Alta</b>	Media			
		Tibia	Media	<b>Poca</b>			
		Eco	Baja				
		<b>Fría</b>	Sin centrifugado				
De-Wrinkle	No					31	-
Dry	No		<b>Máxima</b>	+		147	
			Alta	0			
			Media	-			
			Baja				
			Sin centrifugado				

# CUIDADO Y MANTENIMIENTO

Es recomendable limpiar regularmente y un mantenimiento adecuado que asegurará la eficiencia, rendimiento superior y vida prolongada de este aparato.

Desconecte el enchufe de la toma de corriente y cierre (posición cerrada) el grifo de agua antes de realizar la limpieza y mantenimiento de su lavadora/secadora.

## LIMPIEZA DE LA PARTE EXTERIOR DE LA UNIDAD

NUNCA use químicos a base de solventes, limpiadores abrasivos, productos agresivos o lana de acero para limpiar la unidad, ya que pueden dañar el acabado. El gabinete y la puerta se pueden limpiar con una solución de detergente suave y agua tibia por ejemplo 2 cucharadas de bicarbonato de sodio a 1 litro de agua. Utilice una esponja suave y enjuague con agua limpia. Limpie con un paño suave y limpio para evitar manchas de agua.

Durante el uso diario, se recomienda limpiar cualquier derrame con un paño suave y seco.

## LIMPIEZA DEL INTERIOR DE LA UNIDAD

NUNCA use químicos a base de solventes, limpiadores abrasivos, productos agresivos para limpiar el tambor interno. Durante el uso diario, utilice un paño suave para limpiar alrededor de la puerta, hendiduras y juntas de goma para eliminar el exceso de humedad y mantener un sello hermético.

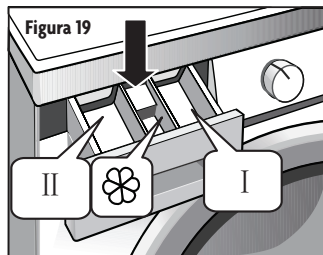
1. Para limpiar el interior de la unidad, debe retirarse toda la ropa del tambor.
2. Seleccione el ciclo "Sanitario". Puede utilizar cloro líquido o limpiadores de bañera/tabletas fabricadas para este fin.
3. Para cloro líquido, añada directamente a la sección del suavizante.
4. Para limpiador para bañera en polvo, añada directamente a la sección principal de detergente.
5. Para tabletas, añada directamente al tambor.
6. Presione iniciar para comenzar el ciclo "Sanitario".

La ropa debe sacarse después de cada lavado cuanto antes para evitar mal olor o formación de moho.

## LIMPIEZA DEL DISPENSADOR DE DETERGENTE

NUNCA use químicos a base de solventes, limpiadores abrasivos, productos agresivos o lana de acero.

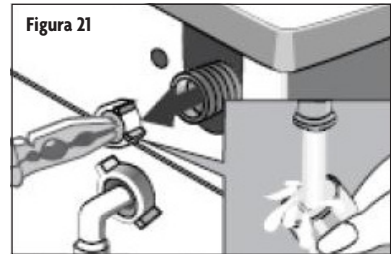
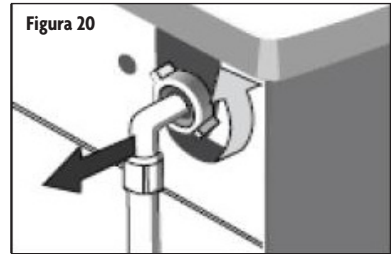
1. Retire el dispensador de detergente de la unidad presionando la lengüeta de liberación y retire completamente el cajón.
2. Una vez retire el dispensador, retire la tapa del compartimiento del suavizante (foto de abajo).
3. Coloque el cajón en agua tibia y seque con un paño suave.
4. Vuelva a colocar la tapa en suavizante de ropa en inserte el dispensador en la unidad.



## LIMPIEZA DEL FILTRO DE ENTRADA

El grifo está abierto (posición abierta) y hay una cantidad insuficiente de agua que llega a través de la manguera, puede que tenga que limpiar el filtro de entrada y las mangueras.

1. El grifo debe estar totalmente cerrado antes de la limpieza.
2. Seleccione cualquier procedimiento y, a continuación, pulse el botón [Start/Pause] y deje que funcione durante unos 40 segundos.
3. Después de 40 segundos, detenga el ciclo y extraiga las mangueras de agua caliente y fría de la pared y parte posterior de la unidad.
4. Deje correr agua tibia a través de las mangueras.
5. Si su conexión de pared tiene un filtro incorporado, saque el filtro con alicates de punta larga y lave con agua tibia.
6. Desenrosque el tubo de entrada de la parte posterior de la máquina.
7. Saque el filtro con alicates de punta larga y lave con agua tibia.
8. Vuelva a conectar el tubo de entrada.
9. Gire el grifo y asegúrese de que no hay fugas de agua.

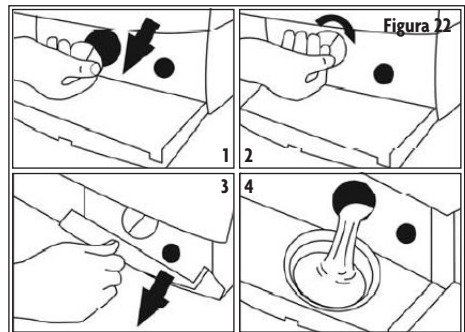


**▲ NOTA:** Por lo general, el filtro del grifo deben lavarse primero y, a luego, el filtro de la lavadora.

## EXTRACCIÓN DE CUERPOS EXTRAÑOS DE LA TRAMPA DE MONEDA

La trampa de moneda puede recoger objetos pequeños durante el ciclo de lavado. Limpie la trampa de moneda regularmente para asegurar el funcionamiento normal de la lavadora. (Existe una trampa de moneda en el panel frontal de la unidad, en la esquina inferior derecha.)

1. Coloque un recipiente de drenaje debajo para recoger el exceso de agua.
2. Abra la puerta de la trampa de monedas.
3. Gire la perilla en sentido contrario a la agujas del reloj.
4. Tire de la trampa de monedas y extraiga los artículos.
5. Vuelva a colocar la trampa de monedas y, para cerrarla, gírela en el sentido de las agujas del reloj.
6. Cierre la puerta de la trampa de monedas.



# SOLUCIÓN DE PROBLEMAS

Problema	Posible causa	Solución
La unidad no arranca		Asegúrese de que la puerta está bien cerrada. Verifique que el enchufe de alimentación está insertado. Asegúrese de que el enchufe eléctrico tiene corriente. Verifique que el suministro de agua está activado (posición abierta). Verifique si [On/Off] está presionado. Verifique si [Start/Pause] está presionado.
La puerta no abre	La función de seguridad de temperatura de la unidad ha comenzado. La cerradura de la puerta está activada.	Desconecte la alimentación. Deje que la unidad se enfríe a temperaturas seguras. La puerta debe abrir normalmente una vez la temperatura sea segura.
Fallo del calentamiento	El NTC (sensor de temperatura) está dañado y las tuberías de calefacción están viejas.	Normalmente puede lavar ropa pero no puede lavar con calor. Comuníquese con un técnico autorizado.
Fuga de agua	Las conexiones no están apretadas. El tubo de drenaje está bloqueado.	Revise y apriete todas las tuberías de agua y conexiones. Limpie el tubo de drenaje. Comuníquese con un técnico autorizado.
Hay fugas de agua por la parte inferior de la unidad	El tubo de entrada no está conectado firmemente. El tubo de salida tiene fugas de agua o la manguera está suelta.	Arregle el tubo de entrada. Sustituya la manguera de drenaje. Comuníquese con un técnico autorizado.
El indicador o la pantalla no se enciende	La fuente de alimentación está desconectada. La placa PC o el cableado está defectuoso.	Compruebe que hay corriente y el enchufe de alimentación está conectado correctamente. Comuníquese con un técnico autorizado.
Restos de detergente en el cajón	El detergente está húmedo y en grumos. Utiliza demasiado detergente.	Limpie a fondo el cajón del detergente y seque con un paño. Use detergente líquido de Alta Eficacia hecho específicamente para lavadoras de carga frontal.
Resultados de lavado no satisfactorios	La ropa está muy sucia. No se utilizó suficiente detergente. El tambor está sobrecargado. La temperatura del agua es demasiado fría.	Asegúrese de seleccionar el procedimiento /temperatura del agua correcta en función del tipo de tela que va a lavar y la etiqueta. Añada la cantidad de detergente adecuado de acuerdo con las instrucciones del embalaje del detergente. Se recomienda utilizar detergente líquido de Alta Eficacia.
Ruido anormal o vibración excesiva		Verifique que los pernos de transporte se hayan eliminado correctamente. Asegúrese de que la unidad está instalada en una superficie sólida y plana. Asegúrese de que no hay artículos que quedaron sueltos en el tambor. Asegúrese de que las piernas estén correctamente ajustadas. Asegúrese de que la unidad no está sobrecargada.









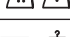













## DETECCIÓN DE CÓDIGOS DE ALARMA

Si aparece un código que no se encuentra en esta lista, comuníquese con el servicio de atención al cliente.

Código de alarma	Descripción	Razón	Solución
E30	Cerradura de la puerta	La puerta no está cerrada correctamente.	Verificar la puerta y reiniciar con la puerta cerrada.
		Llame al servicio técnico si el problema persiste.	
E10	Llenado de agua (el tiempo de llenado de agua supera los 5 minutos)	El grifo no está abierto completamente o la presión de agua es muy lentamente. El filtro de la válvula de entrada puede estar bloqueado. El tubo de entrada de agua puede estar retorcido El flujo de agua puede estar cerrado.	Abra el grifo o espere hasta que el agua fluya normalmente. Verifique el filtro de la válvula de entrada. Enderece el tubo de agua. Verifique si hay otros grifos en la habitación/casa.
		Llame al servicio técnico si el problema persiste.	
E21	Mal drenaje (el tiempo de drenaje supera los 3 minutos)	La manguera de salida está bloqueada o torcida. La bomba de vaciado está bloqueada.	Lave y enderece la manguera de salida. Lave el filtro de la bomba de vaciado.
		Llame al servicio técnico si el problema persiste.	

## SÍMBOLOS DE CUIDADO PARA TELA COMÚN

Símbolo	Explicación
	Lavado a mano
	Lavado (incluido lavadora y lavado a mano)
	Limpieza en seco
	Limpieza en seco tibia
	Cloro
	Secadora
	Plancha
	Plancha de vapor
	Temperatura media y máxima de 302°F
	Tender
	No lavar a máquina
	No lavar
	No limpieza en seco
	No escurrir

	No usar cloro
	No utilizar secadora
	No planchar
	Planchar con un paño
	Secar luego de lavar
	Tender en sombra



## Garantía limitada

MC Appliance Corporation garantiza que todas las Combo de lavadora y secadora sin ventilación carecen de defectos en el material y la mano de obra y acuerda solucionar cualquiera de estos defectos o instalar la(s) parte(s) nueva(s) (a elección de la compañía) en caso de que la unidad haya fallado durante el periodo de garantía. Las partes y gastos de reparación están cubiertos en esta unidad por un periodo de un año a partir de la fecha de compra. Es necesario presentar una copia del recibo o factura de compra con fecha para obtener los servicios de la garantía, el reemplazo o el reembolso.

Esta garantía cubre los aparatos que se usen dentro de los Estados Unidos contiguos, Alaska, Hawái y Puerto Rico. La garantía no cubre lo siguiente:

- Daños debido al daño del envío o a la instalación incorrecta.
- Daños debido al mal uso o abuso.
- Pérdidas de contenido debido a falla de la unidad.
- Componentes como filtro, etc.
- Las reparaciones se realizaran por los agentes desautorizados del servicio.
- Llamadas de servicio que no implican defectos en material y la ejecución tal como instrucción en el uso apropiado del producto o de la instalación incorrecta.
- Reemplazo o reajuste de los fusibles o de los interruptores de la casa.
- Falla de este producto si se usa con fines distintos a los que fue diseñado.
- Costes de la disposición de unidades falladas no vueltas a nuestra fábrica.
- Todos los gastos de entrega/instalación incurridos como resultado de una unidad que no cumple con lo especificado.
- Gastos de viajes y el transporte de los productos principales de servicio si su aparato está situado en una zona remota donde el servicio por un técnico de servicio no está disponible.
- La remoción y reinstalación de su gran aparato, si está instalado en un lugar inaccesible o no está instalado de conformidad con las instrucciones de instalación publicadas.
- Restituciones por productos no reparables se limita al precio pagado por la unidad por el recibo de compra.
- Esta garantía es intransferible. Esta garantía es válida exclusivamente para el comprador original y no se extiende a ningún otro propietario o propietarios subsiguientes.

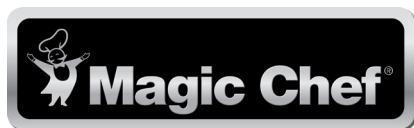
### Limitaciones de remedios y exclusiones:

La reparación del producto de acuerdo con los términos de este documento, es el único y exclusivo remedio determinado en esta garantía limitada. Todas y cada una de las garantías implicadas, incluyendo la calidad de comerciable y capacidad para un propósito particular, se limitan mediante la presente a un año o el periodo más corto permitido por la ley. MC Appliance Corporation no es responsable por daños incidentales ni resultantes y ningún representante o persona alguna están autorizados para asumir de parte nuestra ninguna otra responsabilidad en relación con la venta de este producto. Bajo ninguna circunstancia se le permite al consumidor regresar esta unidad a la fábrica sin consentimiento previo por escrito de MC Appliance Corporation.

Algunos estados prohíben la exclusión o limitación por daños incidentales o resultantes, o limitaciones en las garantías implícitas. Esta garantía le otorga a usted derechos legales específicos, y usted puede también tener otros derechos que varían según la entidad federal/iva donde se encuentre.

Modelo	Piezas	Trabajo	Tipo de servicio
MCSCWD20W3	Uno año	Uno año	En su casa

Para servicio o asistencia, llame por favor al **888-775-0202**. O visítenos en [www.mcappliance.com](http://www.mcappliance.com) para solicitar el servicio de garantía o repuestos.



**CNA International, Inc. realiza negocios bajo el nombre de MC Appliance Corporation.  
Derechos reservados.**

**El logotipo Magic Chef® es una marca registrada de CNA International, Inc.**

**[www.mcappliance.com](http://www.mcappliance.com)**

**Impreso en China**